

# 烘干机零件手册

Part Manual for Tumbler Dyer

HGD2000 (100KG)

**OASIS**<sup>®</sup>

济南绿洲清洗设备有限公

Jinan Oasis Dry-cleaning & Laundry Equipment

编号/Number: HL100CNEN

发布日期/Release Date: 2024/12R1

## 前言

- ✧ 在更换烘干机零部件的时候，必须使用原装的或完全相同的零件。在保养或者替换零件以后，请按照洗衣机原来的方式紧固所有的面板部件，并且将本手册存放在安全的地方，以便日后参考。
- ✧ 当与经销商或者生产商联系的时候，请告知烘干机的确切类型、型号和序列号。洗衣机的类型、型号和序列号在洗衣机的铭牌上可以找到。
- ✧ 生产商有在任何时候修改本手册中任何参数，而不提前通知的权力。本手册所提及的数据参数和图示仅做参考。请注意，本手册只能提供一般的信息，因为本手册不可能非常完整的包含机器一切的信息。

## Preface

- ✧ When replacing dryer spare parts, original or identical parts must be used. After maintenance or replacing parts, please tighten all parts as they were originally on the dryer, and store this manual in a safe place for future reference.
- ✧ When contacting the dealer or manufacturer, please provide the exact type, model, and serial number of the dryer. The type, model, and serial number of the dryer can be found on the nameplate.
- ✧ The manufacturer reserves the right to modify any parameters in this manual at any time without prior notice. The data and illustrations mentioned in this manual are for reference only. Please note that this manual can only provide general information, as it is not possible for this manual to include all details about the machine.

### 本手册适用于一下型号

#### This manual for following models

HGD2000\*Q

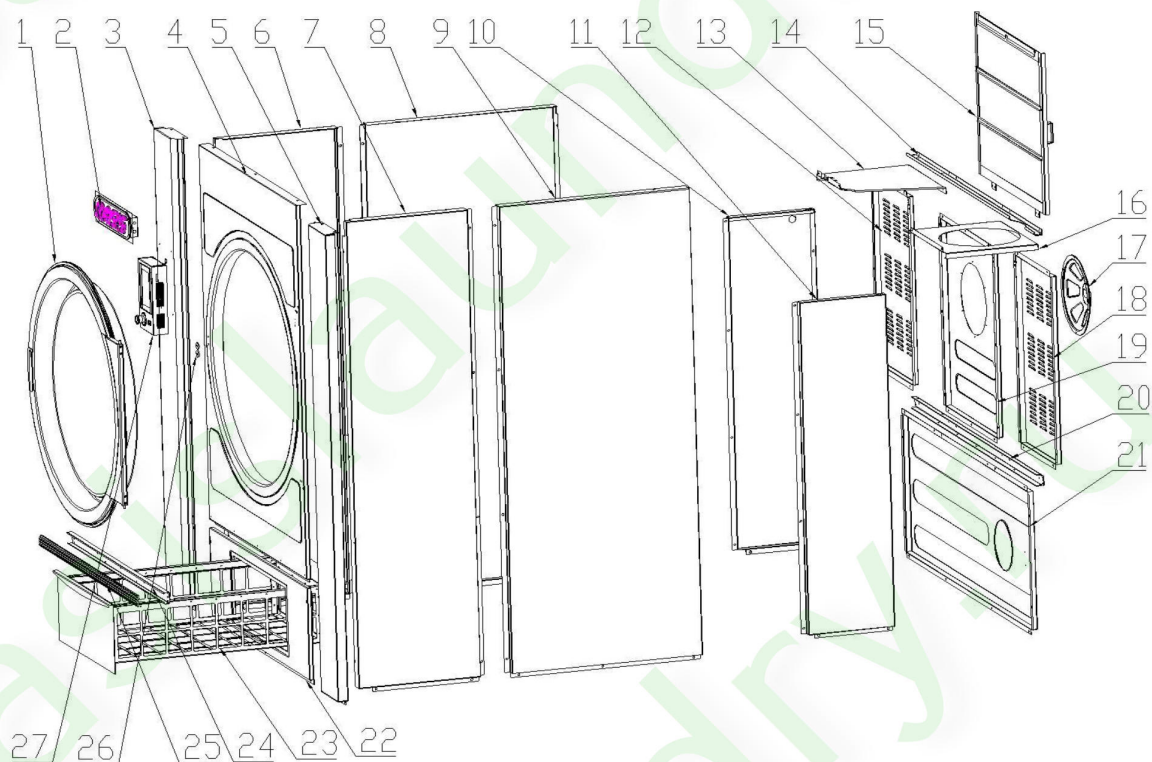
\*代表加热方式 Heating :

D=电热 Electric; Z=蒸汽 Steam; R=燃气 Gas

## 目录/Index

面板及外部组件 Panels and Exterior Assembly-----	3
装载门组件/Loading Door Assembly-----	5
滚筒及传动组件/Cylinder and Drive Assembly-----	6
滚筒支撑轮/Cylinder Supporting Roller-----	8
风机组件/Fan Assembly-----	9
触摸屏控制组件/Touchscreen Assembly-----	10
电控箱/Electrical Control Box-----	11
蒸汽盘管组件/Steam Coil Assembly-----	12
蒸汽阀组件/Steam Valve Assembly-----	13
燃气组件/Gas Assembly-----	14
电热管组件/Electric Element Assembly-----	15
零件订购/Ordering Parts-----	16
声明/Statement-----	16

## 面板及外部组件 Panels and Exterior Assembly

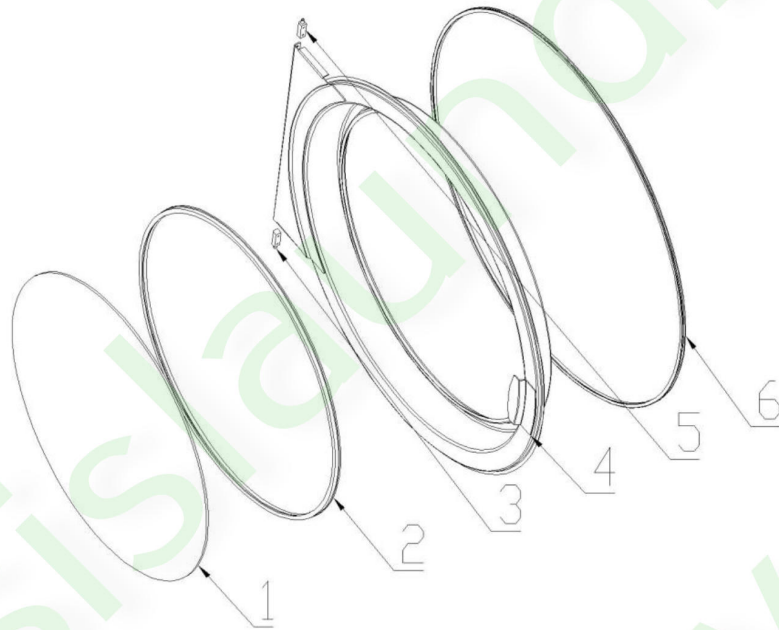


序号 No	零件编码 Part No	Part Name
1	HJCX0725	Door Assembly
2	L1261	Sign OASIS
3	H100G0036	Front Left Panel
4	H100G0037	Front Middle Panel
5	H100G0038	Front Right Panel
6	H100G0023	Front Left Lateral Panel

7	H100G0024	Front Right Lateral Panel
8	H100G0025	Rear Left Lateral Panel
9	H100G0026	Rear Right Lateral Panel
10	H100G0039	Rear Left Lateral Panel (Small)
11	H100G0040	Rear Right Lateral Panel (Small)
12	H100G0041	Rear Left Upper Panel
13	H100G0042	Left Top Cover (Small) (Steam)
14	H100G0043	Rear Upper Beam
15		Filter Assembly
16	H100G0044	Right Top Cover (Small) (Steam)
17		Pulley Cover Conical Top
18	H100G0045	Rear Right Upper Panel
19	H100G0046	Rear Middle Upper Panel
20	H100G0047	Rear Middle Beam
21	H100G0048	Rear Lower Panel
22	H100G0022	Front Lower Panel
23	H100G0028	Lint Filter Screen Assembly
24	H100G0027	Bumper Beam
25	YXJ0222	EPDM Foam Strip
26	TW0016	Magnet
27	YDN0122	Controller Board

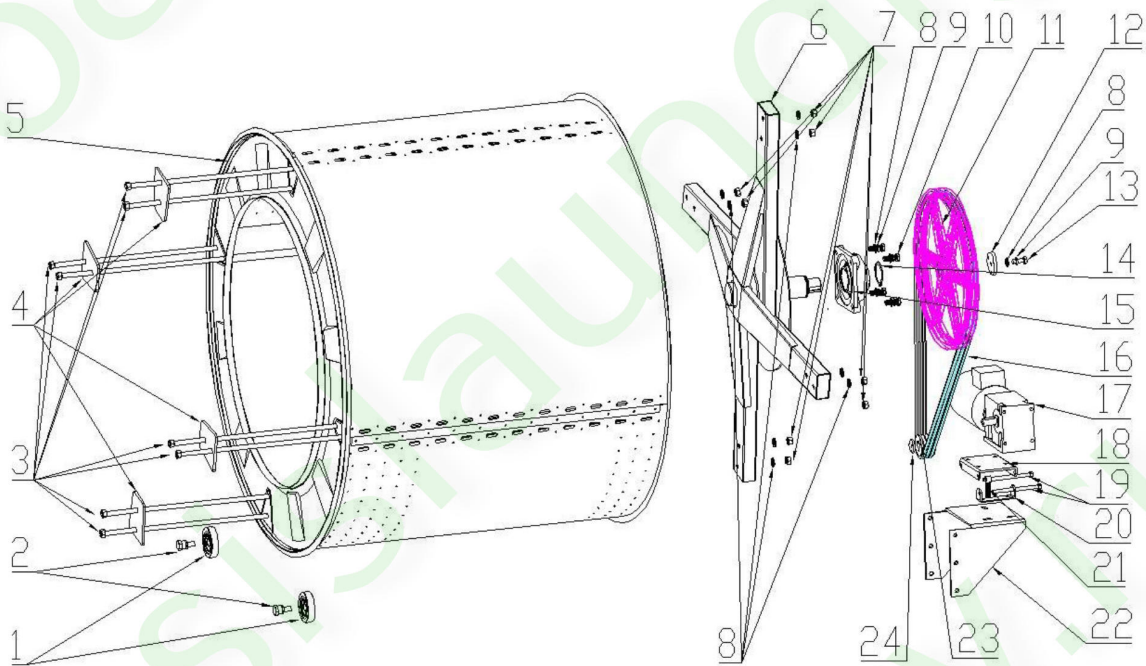


## 装载门组件/Loading Door Assembly



序号 No	零件编码 Part No	Part Name
1	TW0882	Tempered Glass
2	YXJ0344	Glass Sealing Strip G
3	Zs0463	Door Axle 2
4	HJCX0725	HG100F Pressed Door Welding
5	Zs0462	Door Axle 1
6	YXJ0222	Door Seal Strip

### 滚筒及传动组件/Cylinder and Drive Assembly

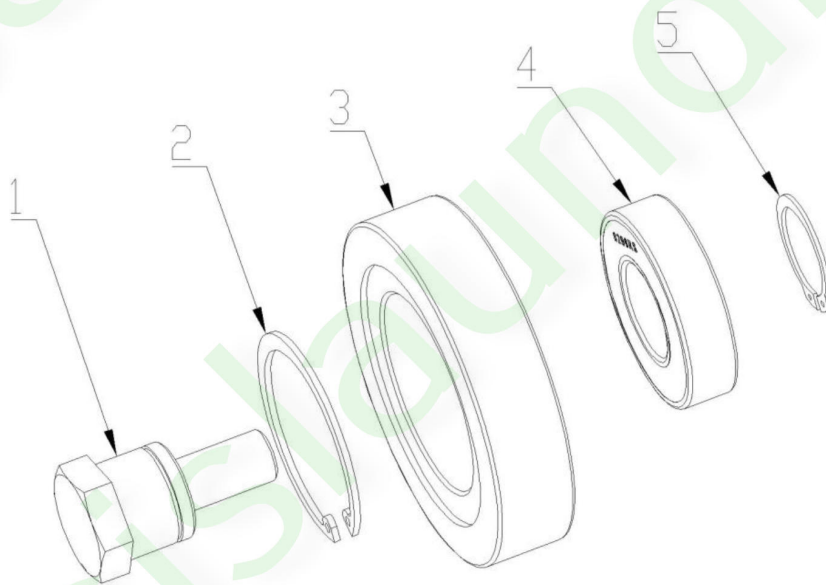


序号 No	零件编码 Part No	Part Name
1	ZS0389	Support Roller
2	ZS0401	Support Roller Shaft
3	ZS0168	Tension Rod Nut Welding
4	H100G0001	Front Plate
5	HJCX00539	Inner Drum
6	HJCX00461	Spindle Welding
7	BL0368	Nut
8	BL0048	Flat Washer
9	BL0309	Spring Washer
10	BL0124	Hexagon Bolt

11	H100006	Spindle Pulley
12	ZS0464	Pressure Plate
13	BL0721	Hexagon Bolt Black
14	TW0015	GB Retaining Ring
15	WC0156	Bearing
16	XP0137	Toothed Belt
17	YDJ0262	Reducer
18	H100G0002	Adjustment Bracket
19	ZS0395	Motor Tension Rod Welding
20	H100G0003	Mounting Foot Bracket
21	H500009	Adjustable Bolt M16*80
22	H100G0004	Support Plate
23	ZS0394	Belt Pulley
24	H100G0005	Guard Plate

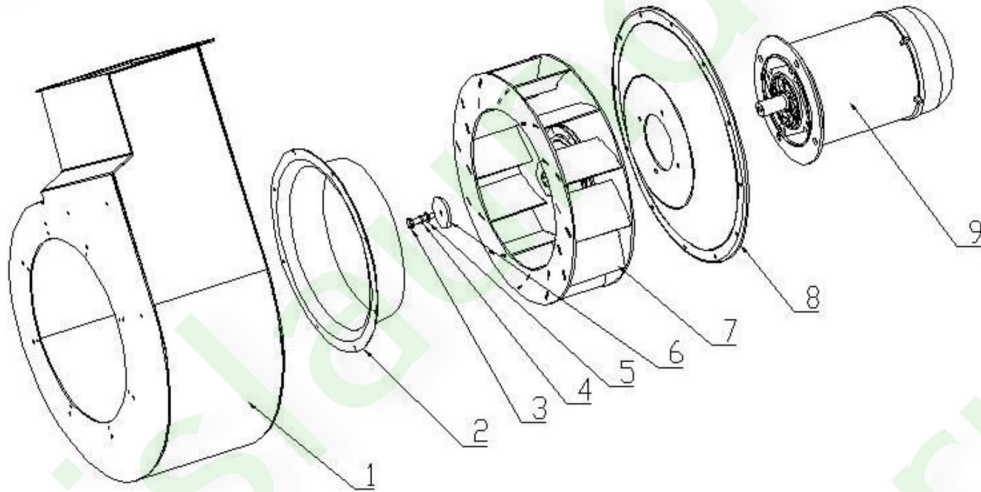


## 滚筒支撑轮/Cylinder Supporting Roller



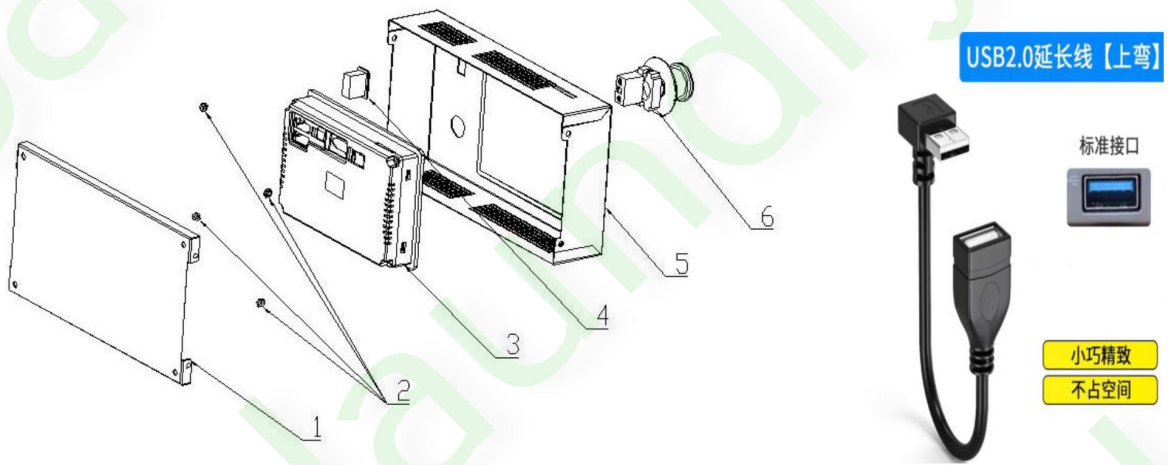
序号 No	零件编码 Part No	Part Name
1	ZS0401	Support Roller Shaft
2	TW1086	Retaining Ring 62
3	WC0165	Bearing
4	ZS0389	Support Roller Rubber-coated
5	TW0547	GB Retaining Ring

## 风机组件/Fan Assembly



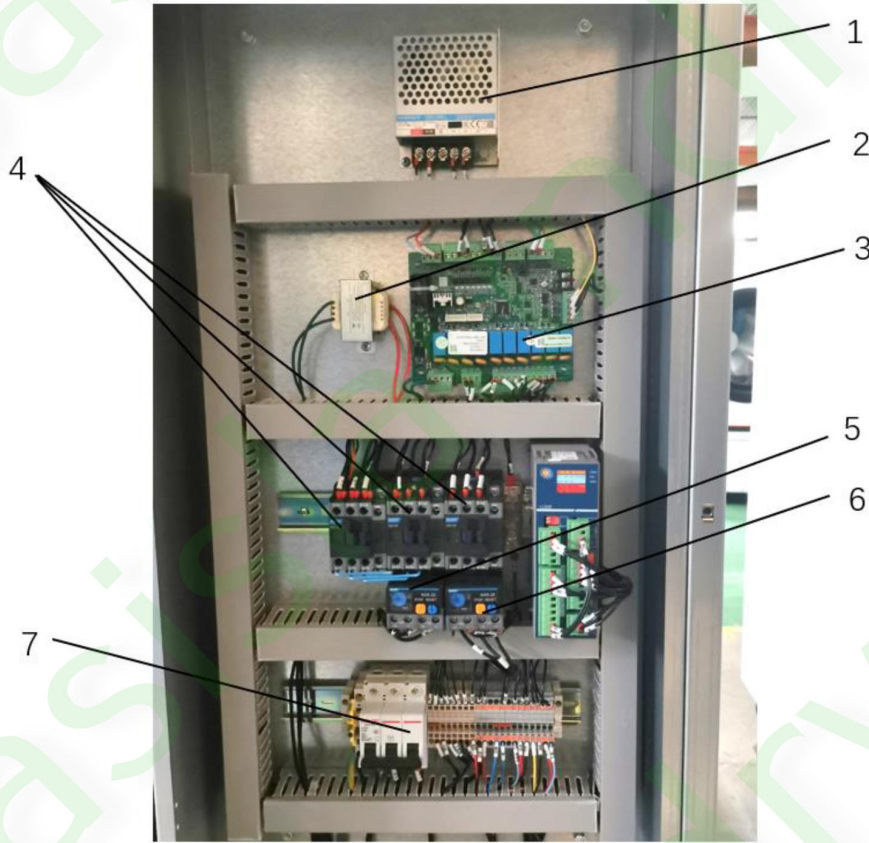
序号 No	零件编码 Part No	Part Name
1&2	H100G0006	Fan Housing Welding
3	BL0416	Hexagon Bolt
4	BL0403	Spring Washer
5	BL0348	Flat Washer
6	H100G0008	Pressure Plate
7	ZS0465	Fan Wheel Assembly
8	H100G0009	Fan Mounting Plate
9	GDJ0058	Motor

## 触摸屏控制组件/Touchscreen Assembly



序号 No	零件编码 Part No	Part Name
1&2	H100G0010	Touchscreen Mounting Bracket
3	YDN0142	Controller Board
4	TD1006	USB Cable with L-shaped and Straight Connector
5	H100G0011	Touchscreen Panel
6	TD0092	Emergency Stop Button

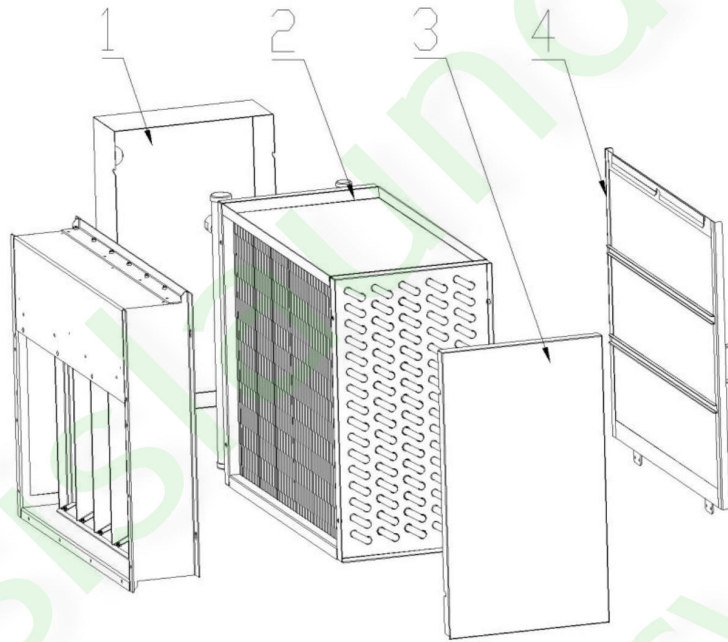
## 电控箱/Electrical Control Box



序号 No	零件编码 Part No	Part Name
1	TD0097	Power supply
2	TD0093	Convertor
3	YDN0142	Control board
4	TD0005	AC relay
5	TD0025	OH relay
6	TD0025	OH relay
7	TD0286	Breaker

## 蒸汽盘管组件/Steam Coil Assembly

-用于蒸汽加热机器/For steam heating machines

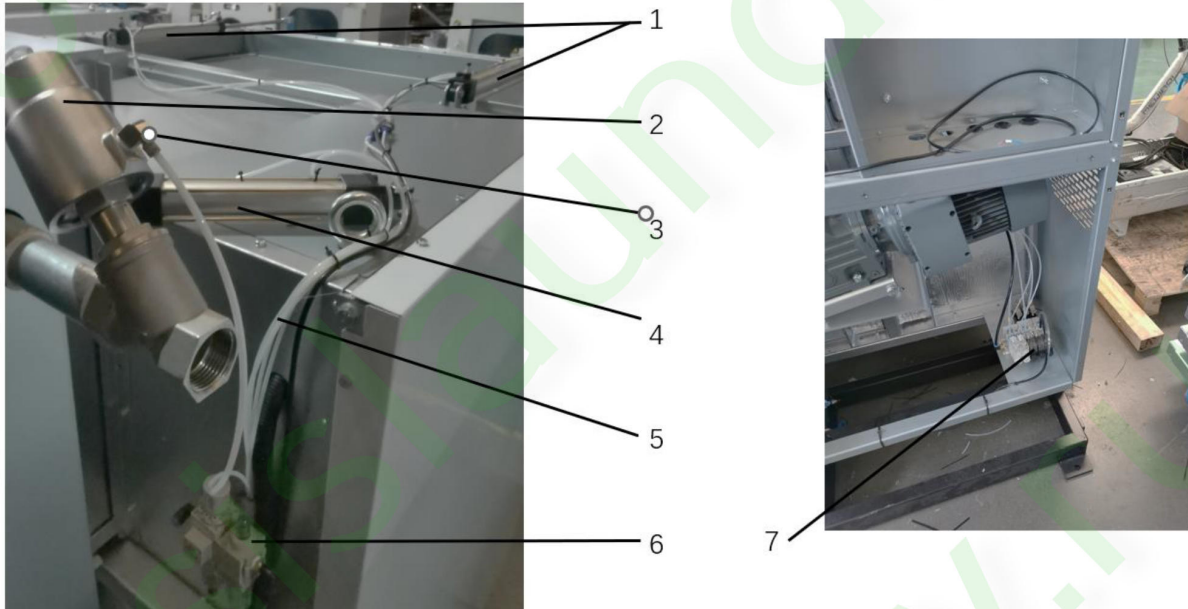


序号 No	零件编码 Part No	Part Name
1	H100G0013	Left Cover
2	GJ0071	Heater HG100G
3	H100G0014	Right Cover
4	H100G0028	Filter Assembly



## 蒸汽阀组件/Steam Valve Assembly

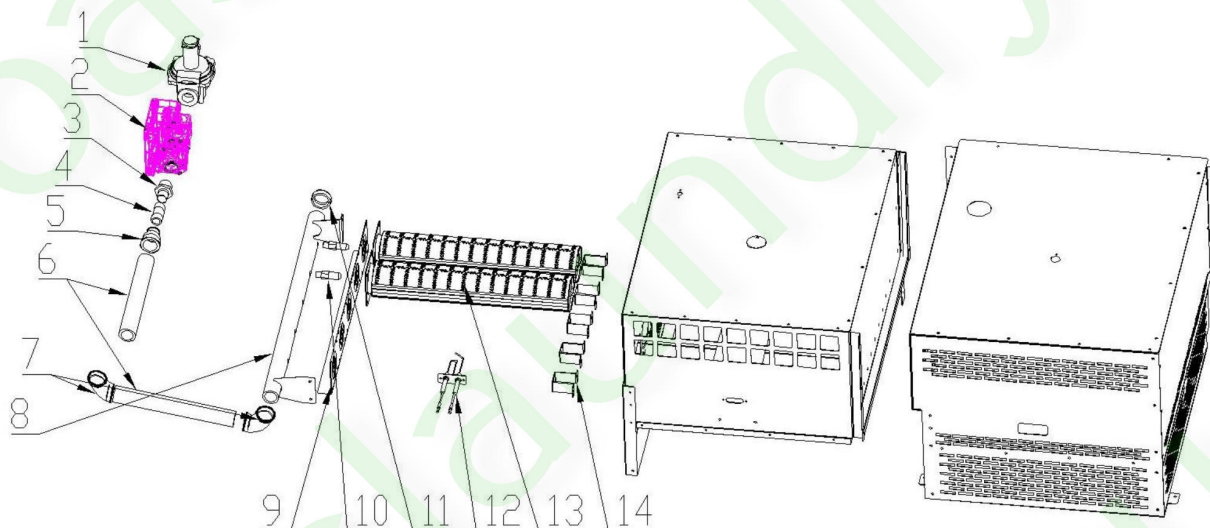
-用于蒸汽加热机器/For steam heating machines



序号 No	零件编码 Part No	Part Name
1	GQ0156	Cylinder HG100D (Tilting Machine)
2	GQ0010	Pneumatic Valve
3	GZ0260	Threaded Straight-Through Fitting
4	TW0116	Cylinder
5	GZ0213	PU Pipe
6	GZ0003	Pneumatic Combination Unit
7	GZ0002	Solenoid Pilot Valve

## 燃气组件/Gas Assembly

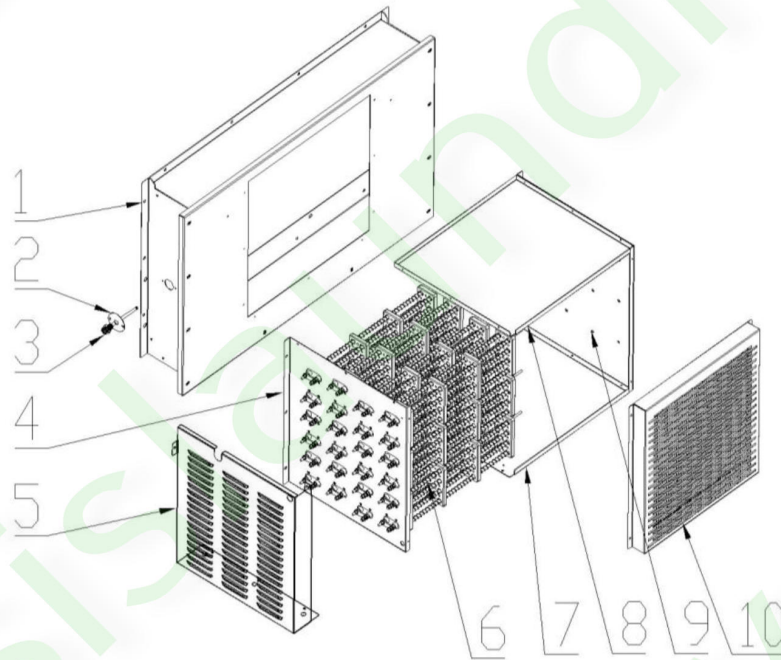
-用于燃气加热机器/For gas heating machines



序号 No	零件编码 Part No	Part Name
1	TW0748	Gas pressure valve
2	WF0058	Gas Valve
	WF0059	Gas Controller
3	GWG0067	Barrel Nipple
4	SXG013	Barrel Nipple 1/2 Length 50
5	GWG0055	Pipe Clamp
6	DXG031	Barrel Nipple 1" Length 250
7	GWG0026	Elbow
8	H100G0049	Gas Pipe Welding
9	H100G0050	Fire Tube Plug Plate
10	ZS0292	Nozzle
11	GWG0008	Tube Cap
12	TW0263	Ignition Needle
13	HSC150099	Fire Tube Assembly
14	H100G0051	Fire Tube Support Bracket

## 电热管组件/Electric Element Assembly

-用于电加热机器/For electric heating machines



序号 No	零件编码 Part No	Part Name
1&2	H100G0016	Rear Air Duct Riveting
3	TD0044	Probe Holder
4	H100G0030	Right Lateral Panel
5	H100G0031	Box Cover
6	A0009	Heating Element
7	H100G0032	Middle Panel
8	H100G0033	Top Cover
9	H100G0034	Left Lateral Panel
10	H100G0035	Cover