

零件手册

烘干机 15 公斤

自助和非自助

Part Manual

for 15kg Tumbler Dyer

Vend & OPL

OASIS[®]

济南绿洲清洗设备有限公

Jinan Oasis Dry-cleaning & Laundry Equipment

编号/Number: HL15CNEN

发布日期/Release Date: 2024/12 R1

前言

- ✧ 在更换烘干机零部件的时候，必须使用原装的或完全相同的零件。在保养或者替换零件以后，请按照洗衣机原来的方式紧固所有的面板部件，并且将本手册存放在安全的地方，以便日后参考。
- ✧ 当与经销商或者生产商联系的时候，请告知烘干机的确切类型、型号和序列号。洗衣机的类型、型号和序列号在洗衣机的铭牌上可以找到。
- ✧ 生产商有在任何时候修改本手册中任何参数，而不提前通知的权力。本手册所提及的数据参数和图示仅做参考。请注意，本手册只能提供一般的信息，因为本手册不可能非常完整的包含机器一切的信息。
- ✧

Preface

- ✧ When replacing dryer spare parts, original or identical parts must be used. After maintenance or replacing parts, please tighten all parts as they were originally on the dryer, and store this manual in a safe place for future reference.
- ✧ When contacting the dealer or manufacturer, please provide the exact type, model, and serial number of the dryer. The type, model, and serial number of the dryer can be found on the nameplate.
- ✧ The manufacturer reserves the right to modify any parameters in this manual at any time without prior notice. The data and illustrations mentioned in this manual are for reference only. Please note that this manual can only provide general information, as it is not possible for this manual to include all details about the machine.

本手册适用于以下型号

This manual for following models

HG300*Q; HG300*T; HG300*K

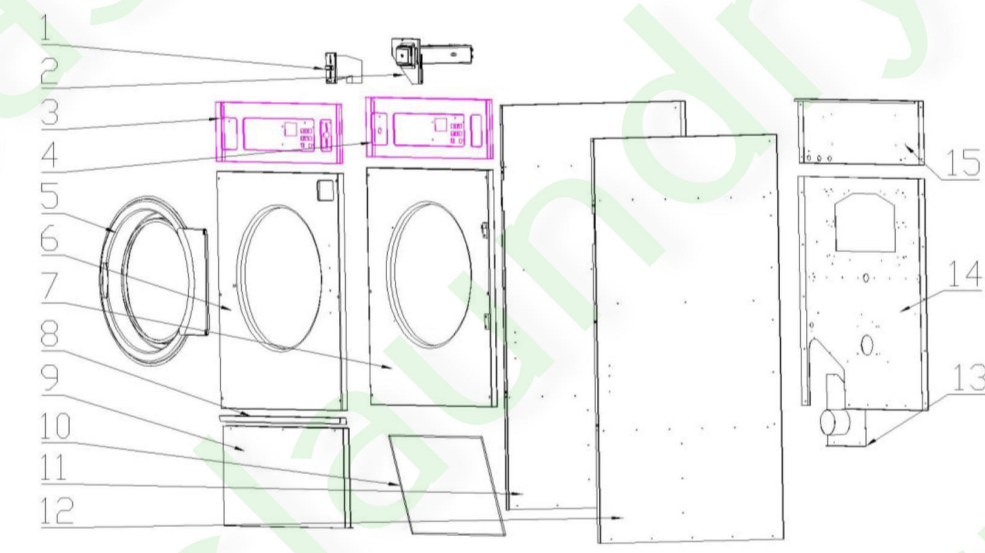
*代表加热方式 Heating :

D=电热 Electric; Z=蒸汽 Steam; R=燃气 Gas

目录/Index

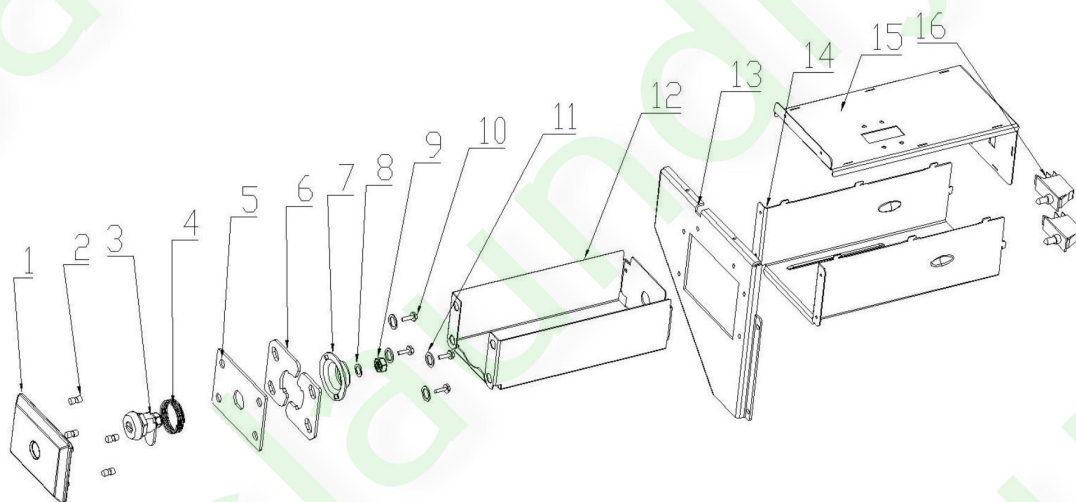
面板及外部组件/Panels and Exterior Assembly-----	3
集币装置/Money Box-----	4
装载门组件/Loading Door Assembly-----	5
滚筒和传动组件/Cylinder and Drive Assembly-----	6
滚筒部件/Cylinder Parts-----	7
风机组件/Fan Assembly-----	8
控制面板/Control Panel-----	9
电器箱/Electrical Box-----	10
电热管组件/Electric Element Assembly-----	11
蒸汽盘滚组件/Steam Coil Assembly-----	12
燃气组件/Gas Assembly-----	13
零件订购/Ordering Parts-----	14
声明/Statement-----	14

面板及外部组件/Panels and Exterior Assembly



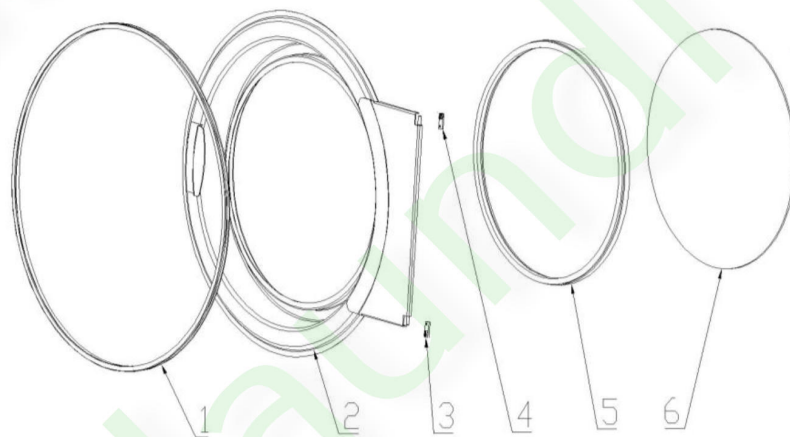
序号 N	零件编码 Part N	Part Name
1	TW0205	Coin Drop
2		Money Box
3	H15E0085	Front Upper Panel/Vend
4	H15E0086	Front Upper Panel/OPL
5		Door Assembly
6	H15E0032	Front Panel/Vend
7		Front Panel/OPL
8	H15E0039	Decorative Beam
9	H15E0033	Front Lower Panel
10	TW0373	Lint Filter Screen
11	H15E0034	Left Lateral Panel
12	H15E0035	Right Lateral Panel
13	H15E0038	Motor Air Intake Cover
14	H15E0020	Support Panel
15	H15E0022	Upper Support

集币装置/Money Box



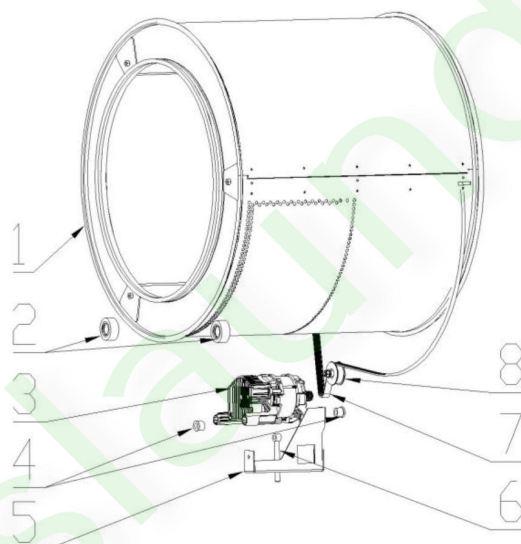
序号 No.	零件编码 Part No.	Part Name
1	S0008	Panel
2	BL0002	Nut
3	TW0204	Double-Sided Tumbler Cam lock
4/6	TW0184	Spring
5	SG150031	Lock Mounting Plate
7	H130006	Rotary Paddle
8	BL0052	Flat Washer
9	BL0004	Nut
10	BL0654	304 Hexagon Bolt
11	BL0348	Flat Washer
12	SG150033	Drawer
13	H15E0060	Mounting Plate
14	SG150034	Lower Housing
15	SG150023	Upper Housing
16		Contact Switch

装载门组件/Loading Door Assembly



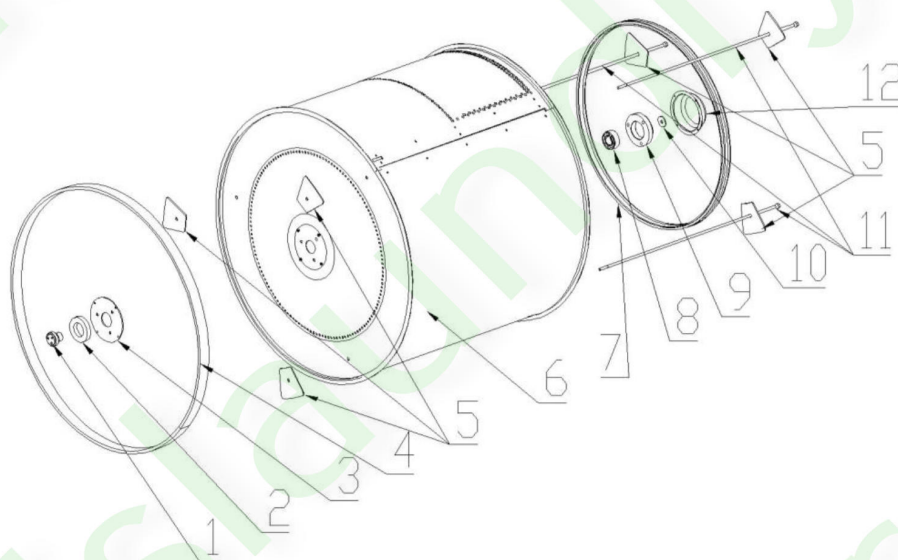
序号 No	零件编码 Part No	Part Name
1	YXJ0204	N-type Seal Strip S
2	HJCX0537	Right Mounting Plate Welding
3	ZLMY0075	Hinge Welding
4	ZLMY0075	Hinge Welding Mirror
5	YXJ0294	HG35 Glass Sealing Strip S
8	TW0754	Tempered Glass

滚筒和传动组件/Cylinder and Drive Assembly



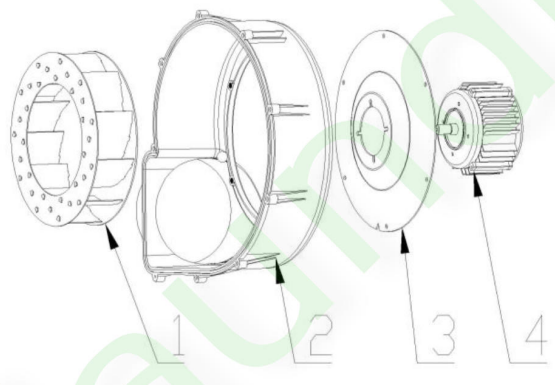
序号 No	零件编码 Part No	Part Name
1	HJCX00094	Drive Assembly
2	TW0838	Rubber-coated Bearing HG15-35
3	YDJ0193	Motor HG13-20 New XTH With Integrated Driver
4	YXJ0165	Motor Rubber Sleeve
5	H15E0083	Fixed Base Welding
6	H130002	Adjustment Rod
7	XP0123	Multi-rib Belt
8	H150006	Tension Pulley

滚筒部件/Cylinder Parts



序号 No	零件编码 Part No	Part Name
1	H150001	Spindle
2	TW0289	Spindle Felt 61*41*9mm
3	HSC150003	Mounting Plate
4	TW0217	Wool Strip
5	H150015	Front Plate
6	HJCX00117	Inner Drum
7	TW0216	Wool Strip
8	WC0032	Self-aligning Ball Bearing 2205
9	H150004	Bearing House
10	H13B0045	Spindle Guard Plate
11	H150005	Rod Welding
12	HSC150004	Bearing Shield

风机组件/Fan Assembly



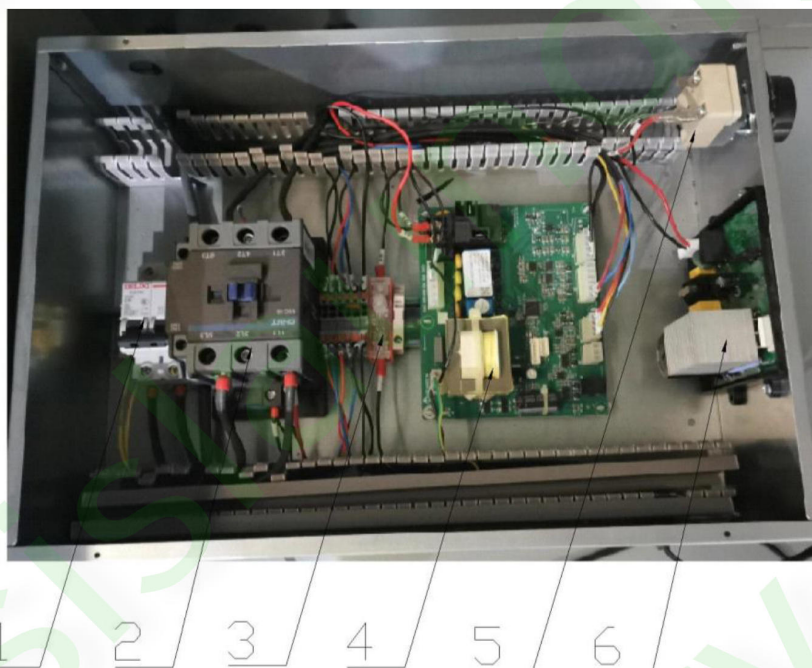
序号 No	零件编码 Part No	Part Name
1	ZS0349	250 Fan Wheel
3	S0059	Fan Housing
4	XTH130107	Fan Mounting Plate
5	YDJ0228	Motor+Driver XTH10F

控制面板/Control Panel



序号 No	零件编码 Part No	Part Name
1	M0050	Panel Film
2	TD0092	Emergency Stop Button
3	M0006	Panel Film
4	YDN0074	Controller Board:Front Board +I/O Control Board For OPL
	HDN0028	Controller Board:Front Board VEND
	HDN0029	Controller Board:I/O Control Board VEND
5	M0017	Panel Film
6	TW0205	Coin drop
7	M0017	Panel Film
8	M0050	Panel Film
9	M0015	Panel Film

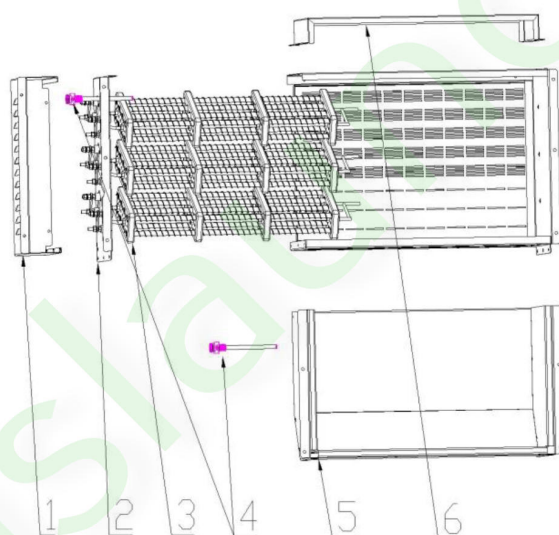
电器箱/Electrical Box



序号 No	零件编码 Part No	Part Name
1	TD929	Circuit Breaker
2	TD0087	AC Contactor
3	TD0006	Fuse Holder
4		Refer To Operation Panel 4
5	TD0119	Mechanical Thermostat
6	TD1075	Fan Motor Driver

电热管组件/Electric Element Assembly

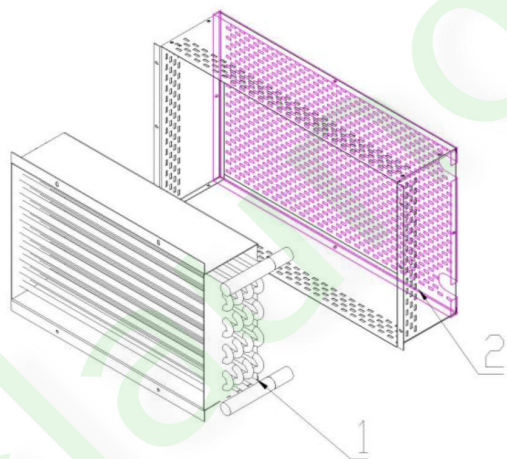
-用于电加热机器/For electric heating machines



序号 No	零件编码 Part No	Part Name
1	H15E0056	Heating Element Terminal Cover
2	H15E0053	Front Panel
3	A0009	Heating Element
4	TD0276	Probe Holder
5	H15E0067	Transition Box Assembly
6	H15E0074	Top Cover

蒸汽盘滚组件/Steam Coil Assembly

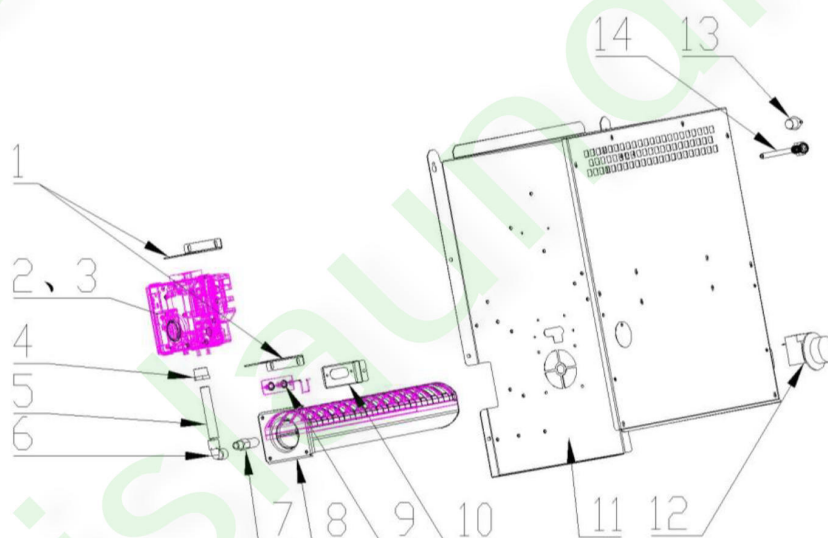
-用于蒸汽加热机器/For steam heating machines



序号 Part No	零件编码 Part No	Part Name
1	GJ0016	Heater
2	H15E0074	Box Cover

燃气组件/Gas Assembly

- 用于燃气加热机器/For Gas heating machines



序号 No	零件编码 Part No	Part Name
1	HSC150114	Mounting Bracket
2	WF0058	Gas Valve
3	WF0059	Gas Controller
4		Bushing
5	ZS0467	Barrel Nipple 1/4*80
6		1/4" Internal Threaded Elbow
7	ZS0293	Nozzle 2.0
8	HJCX00404	Fire Tube
9	TW0263	Ignition Needle
10	HSC150115	Ignition Needle cover
11	HSC150040	Gas Box
12	TD0119	Mechanical Thermostat
13		Thermostat
14	TD0044	Probe Holder