

# 零件手册

悬浮式洗脱机 40 公斤

## Part Manual for Soft-Mount Washer-Extractor

40kg

**OASIS**<sup>®</sup>

济南绿洲清洗设备有限公

Jinan Oasis Dry-cleaning & Laundry Equipment Co., Ltd

编号/Number: SL40CNEN

发布日期/Release Date: 2024/12

## 前言

- ✧ 在更换设备零部件的时候，必须使用原装的或完全相同的零件。在保养或者替换零件以后，请按照机器原来的方式紧固所有的面板部件，并且将本手册存放在安全的地方，以便日后参考。
- ✧ 当与经销商或者生产商联系的时候，请告知机器的确切类型、型号和序列号。机器的类型、型号和序列号在机器的铭牌上可以找到。
- ✧ 生产商有在任何时候修改本手册中任何参数，而不提前通知的权力。本手册所提及的数据参数和图示仅做参考。请注意，本手册只能提供一般的信息，因为本手册不可能非常完整的包含机器一切的信息。

## Preface

- ✧ When replacing dryer spare parts, original or identical parts must be used. After maintenance or replacing parts, please tighten all parts as they were originally on the dryer, and store this manual in a safe place for future reference.
- ✧ When contacting the dealer or manufacturer, please provide the exact type, model, and serial number of the dryer. The type, model, and serial number of the dryer can be found on the nameplate.
- ✧ The manufacturer reserves the right to modify any parameters in this manual at any time without prior notice. The data and illustrations mentioned in this manual are for reference only. Please note that this manual can only provide general information, as it is not possible for this manual to include all details about the machine.

本手册适用于一下型号

**This manual for following models**

SXT400F\*Q

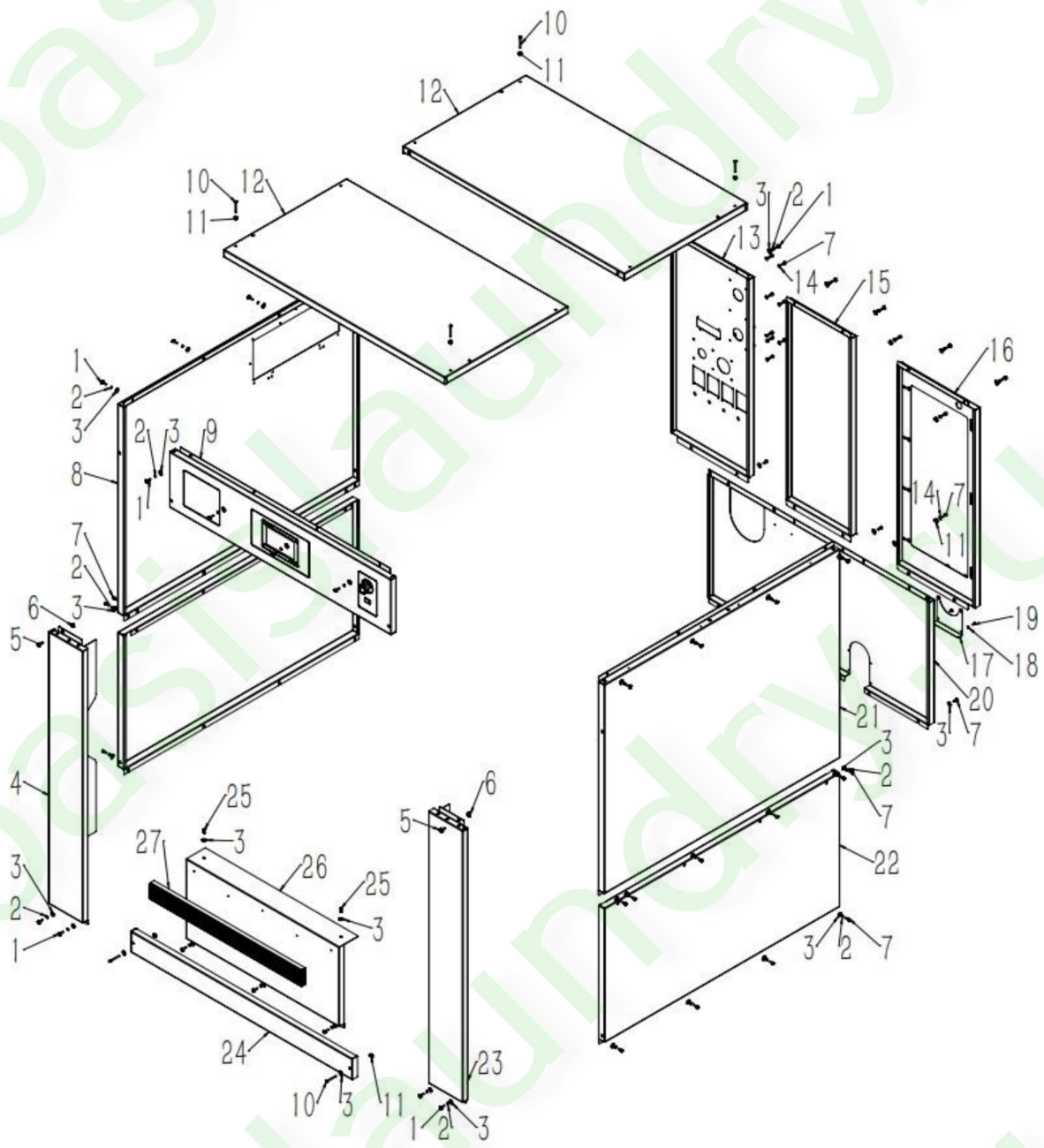
\*代表加热方式 Heating:

D=电热 Electric; Z=蒸汽 Steam;

## 目录/Index

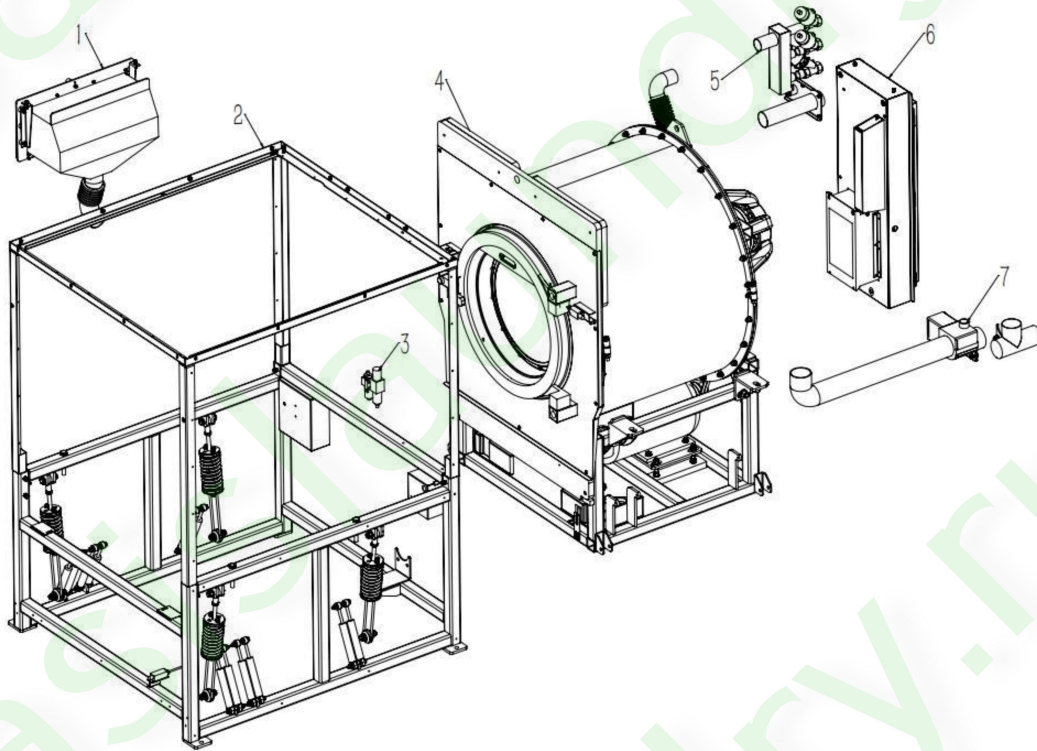
面板组件/Panel Assembly-----	3
机架组合/Frame Assembly-----	5
化料盒/Chemical Compartment-----	6
固定底座组件/Fixed Base Assembly-----	7
外笼组件/Outer Tub Assembly-----	9
门锁装配/Door Lock Assembly-----	10
装载门组件/Loading Door Assembly-----	11
内笼组件/Inner Drum Assembly-----	12
外笼组件/Outer Tub Assembly-----	13
轴承座组装/Bearing House Assembly-----	15
悬浮支架/Suspension Frame-----	16
传动装配/Drive Assembly-----	17
水阀和蒸汽组件/Water Valves and Steam Valve-----	18
排水系统组装/Drain System Assembly-----	20
电器箱/Electrical Box-----	21
零件订购/Ordering Parts-----	22
声明/Statement-----	22

### 面板组件/Panel Assembly



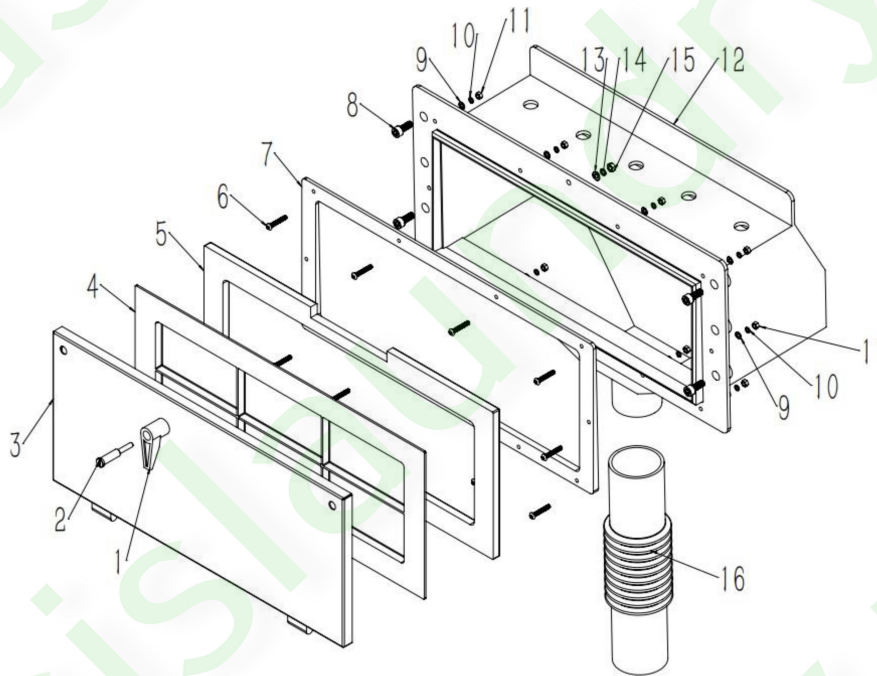
序号 No	零件编码 Part No	Part Number
1	BL0114	Hexagon Bolt
2	BL0312	Spring Washer
3	BL0438	Shaped Flat Washer
4	SX400011	Front Left Column
5	BL0077	Hexagon Bolt
6	BL0004	Nut
7	BL0030	Socket Head Cap Screw
8	SX40006	Left Upper Side Panel
9	SX400035	Control panel (touch screen)
10	BL0217	304 Socket Head Cap Screw
11	BL0360	Cage nut
12	SX400010	Top Cover
13	SX400014	Rear Left Panel
14	BL0046	Flat Washer
15	SX400016	Rear Middle Panel
16	SX400017	Rear Right Panel
17	SX400020	Rear Lower Patch Panel
18	BL0054	Flat Washer
19	BL0254	304 Pan Head Phillips Screw
20	SX400018	Rear Lower Panel
21	SX400007	Right Upper Lateral Panel
22	SX40008	Lower Lateral Panel
23	SX400012	Front Right Column
24	SX400022	Front Lower Guard Panel
25	BL0030	Socket Head Cap Screw
26	BL0030	Socket Head Cap Screw
27	SX400013	Front Lower Panel
28	YXJ0319	Bumper Strip

## 机架组合/Frame Assembly



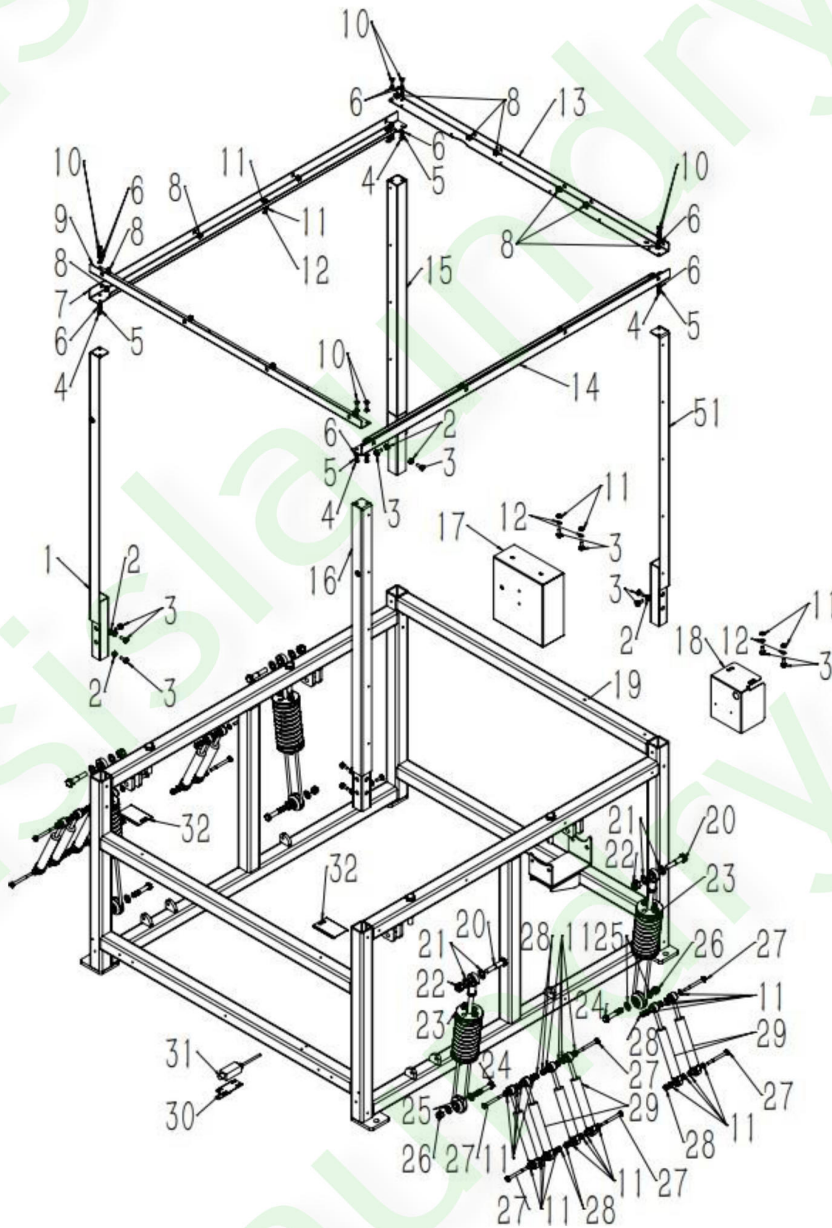
序号 No	零件编码 Part No	Part Name
1		Chemical Compartment Assembly
2		Fixed Base Assembly
3	GZ0003	Pneumatic Combination Unit
4	HJX0089	Outer Tub Assembly
5		Water Inlet System Assembly
6		Electrical Box Assembly
7		Drain System Assembly

## 化料盒/Chemical Compartment



序号 No	零件编码 Part No	Part Name
1	S0004	Handle LZ1580
2	S60035	Pivot Bolt
3	SX600008	Molded Lid
4	S0040	Liner
5	SXJ0019	Silicone Pad G
6	BL0223	304 Socket Head Cap Screw
7	SXJ0161	Gasket S
8	BL0018	Socket Head Cap Screw
9	BL0054	Flat Washer
10	BL0310	Spring Washer
11	BL0756	Nut
12	S0067	Chemical Compartment
13	BL0046	Flat Washer
14	BL0312	Spring Washer
15	BL0325	Nut
16	LZ05138	Hose

### 固定底座组件/Fixed Base Assembly

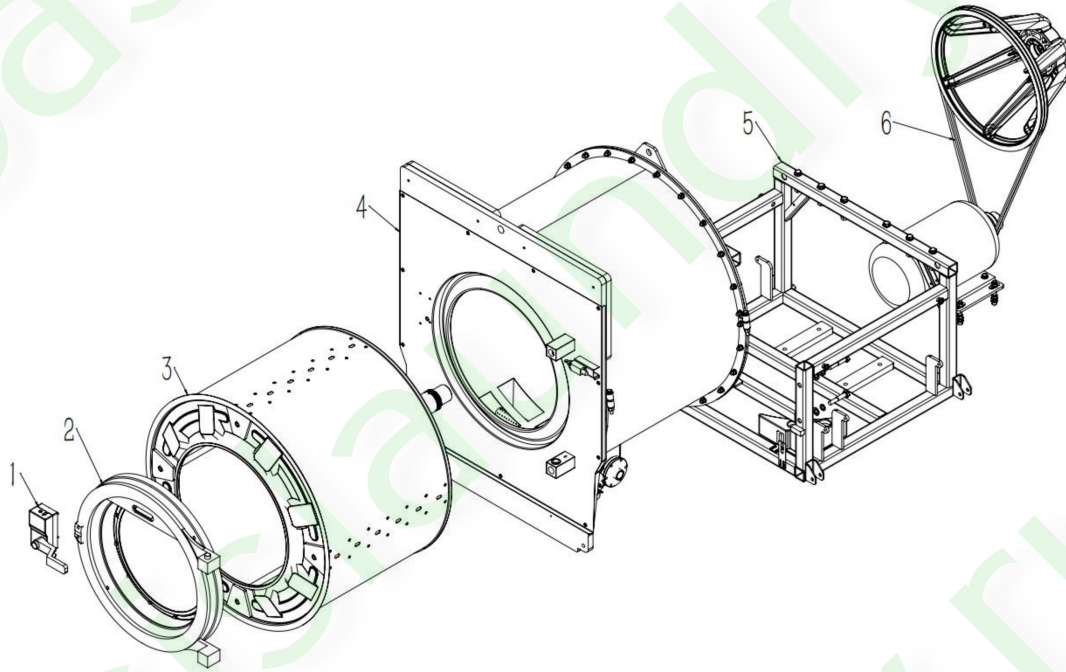


序号 No	零件编码 Part No	Part Name
1	SX400041	Left Vertical Angle Iron
2	BL0004	Nut
3	BL0077	Hexagon Bolt
4	BL0325	Nut
5	BL0312	Spring Washer
6	BL0046	Flat Washer



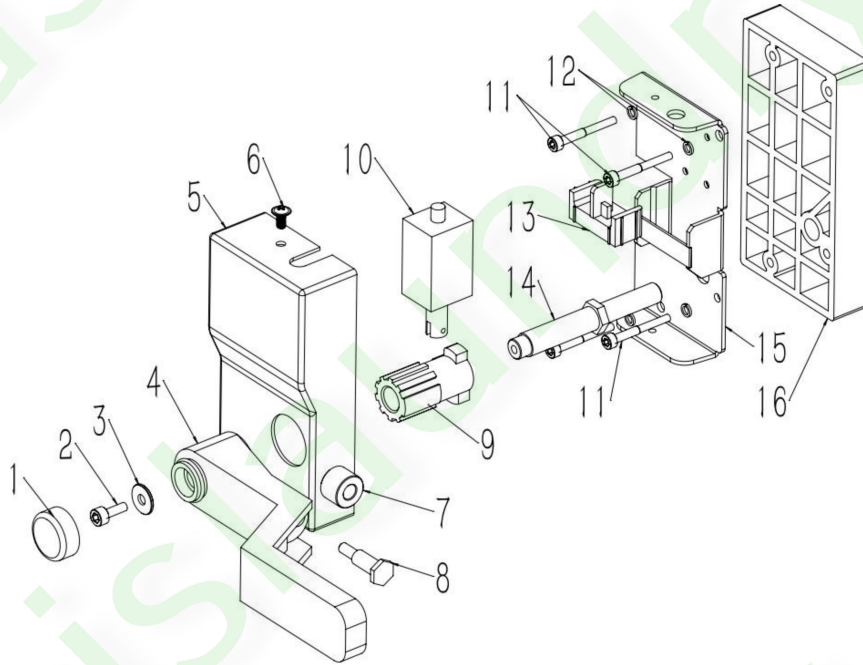
7	SX400042	Longitudinal Angle Irons
8	BL0360	Cage nut
9	SX400043	Front Horizontal Angle Iron
10	BL0114	Hexagon Bolt
11	BL0052	Flat Washer
12	GZ0311	Spring Washer
13	SX400044	Rear Horizontal Angle Iron
14	SX400042	Longitudinal Angle Irons
15	SX400046	Rear Left Vertical Angle Iron
16	SX400047	Front Right Vertical Angle Iron
17	SX400019	Pneumatic Unit Fixed Bracket
18	SX400036	Pneumatic Valve Box
19	HJXC00133	Frame Welding
20	BL0100	Hexagon Bolt
21	BL0050	Flat Washer
22	BL0364	Locking Nut
23	TW0188	Spring Kit Assemble
24	BL0099	Hexagon Bolt
25	BL0051	Flat Washer
26	BL0149	Locking Nut
27	BL0838	Hexagon Bolt
28	BL0391	Locking Nut
29	TW0072	Shock Absorber RD10
30	SX400026	Vibration Switch Bracket
31	TD0103	Limit Switch
32	SX400023	Cover plate

### 外笼组装/Outer Tub Assembly



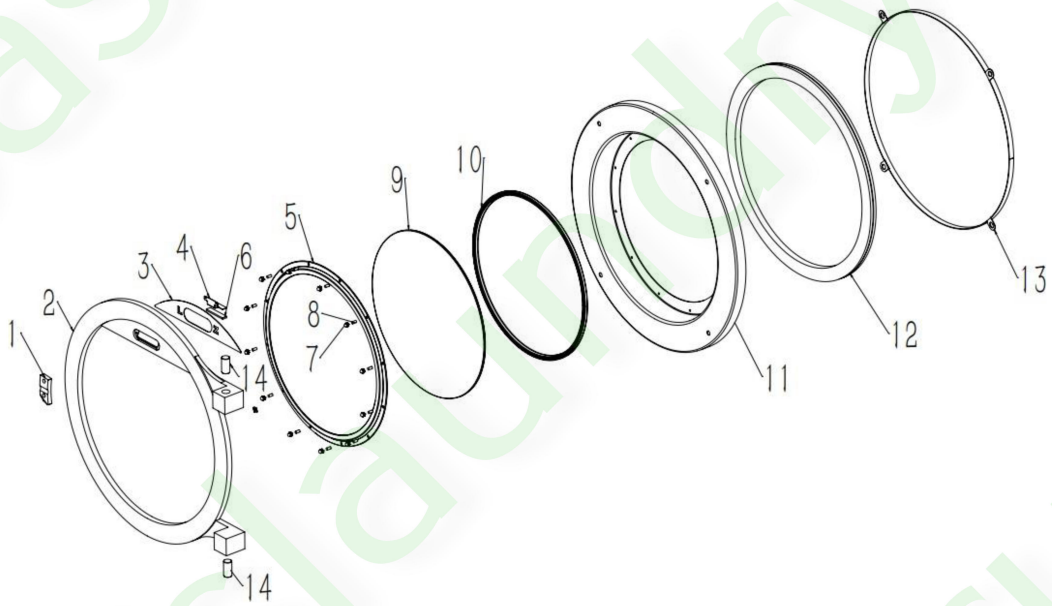
序号 No	零件编码 Part No	Part Name
1		Door Lock Assembly
2		Front Door Assembly
3	HJXC0540	Inner Drum Assembly
4	HJXC0089	Outer Tub Assembly
5		Outer Tub frame Assembly
6		Drive Assembly

## 门锁装配/Door Lock Assembly



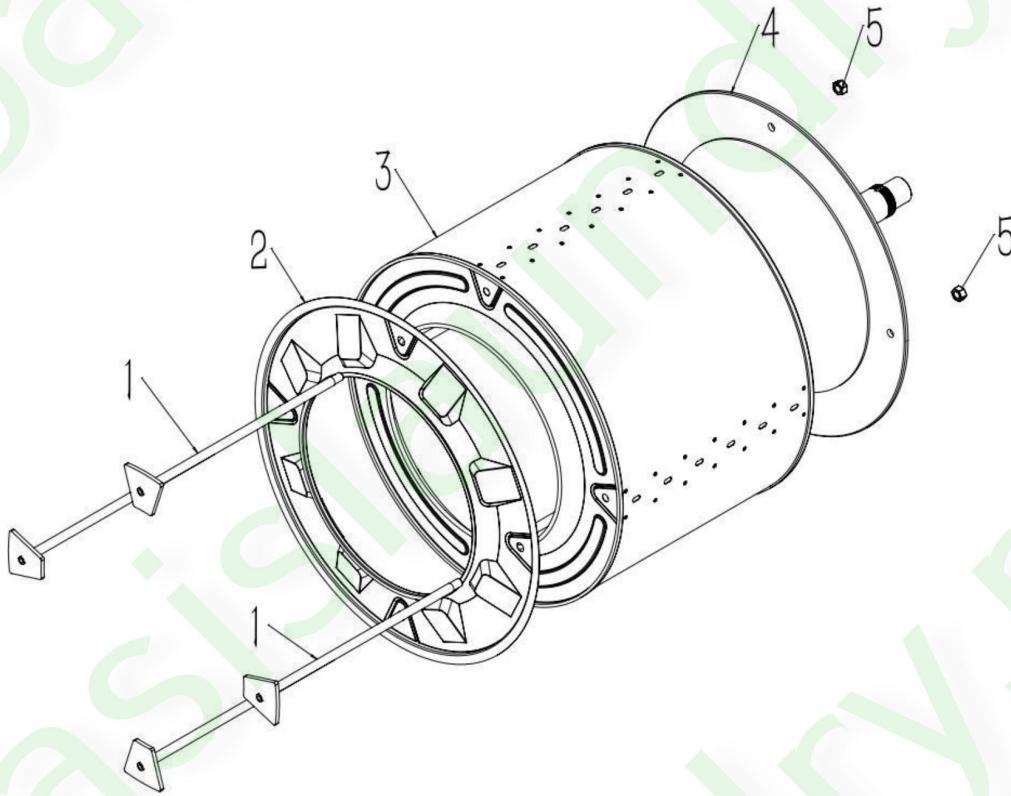
序号 No	零件编码 Part No	Part Name
1	SXJ0041	Rubber Cap S
2	BL0030	Socket Head Cap Screw
3	BL0438	Oversized Washer 6
4	ZS0094	Door Handle
5	S0034	Lock Cover
6	BL0689	Countersunk Phillips Screw
7	S250009	Pressure Wheel
8	S250008	Pressure Wheel Shaft
9	S250004	Ratchet
10	TW0208	Magnet
11	BL0156	201 Socket Head Cap Screw
12	BL0310	Spring Washer
13	S250010	Aluminum Base
14	S60036	Handle Shaft (M12)
15	S250057	Door Lock Base 304
16	S0035	Backing Plate SX15

## 装载门组件/Loading Door Assembly



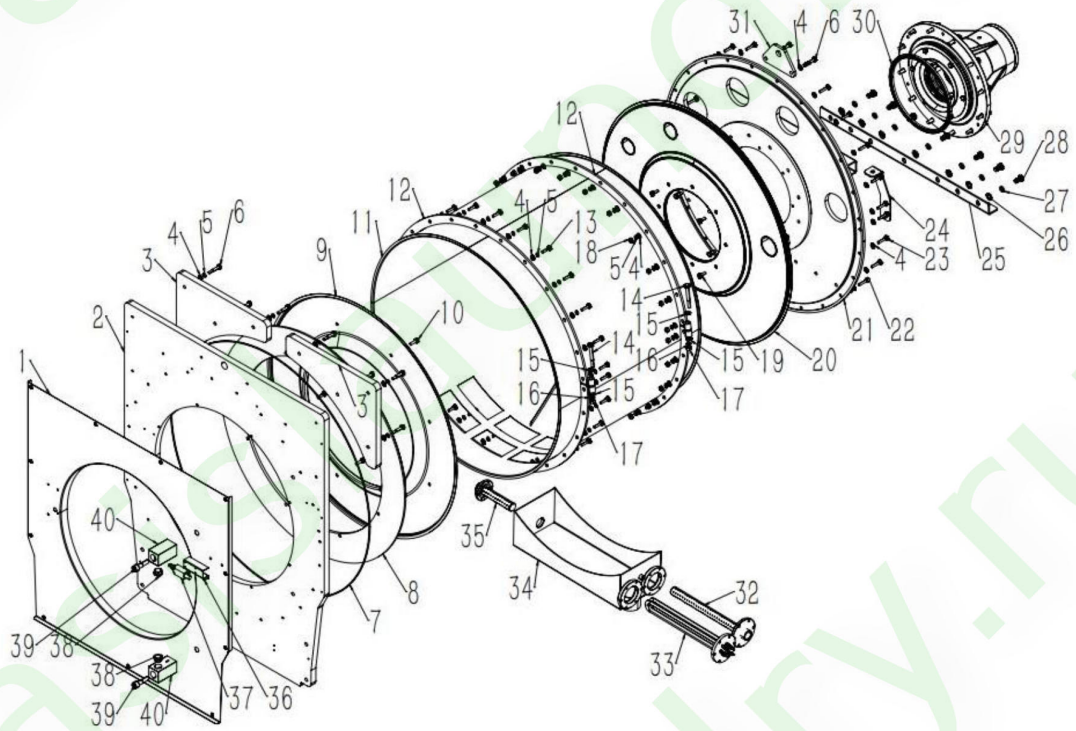
序号 No	零件编码 Part No	Part Name
1	S0069	Spacer Block
2	S60026	Aluminum Pressure Ring
5	S60029	Glass Pressure Ring
6	TD0274	LED Light 8KG SX
7	BL0186	304 Cap Nut
9	TW0163	Tempered Glass
10	SXJ0007	60KG Glass Wrapping Ring S
11	S60028	Pressed Door Ring
12	SXJ0082	60KG Door Gasket G
13	HJCX0746	Rubber Strip Wrapping Ring Welding
14	S60032	Door Shaft

### 内笼组件/Inner Drum Assembly



序号 No	零件编码 Part No	Part Name
1	S40013	Tension Rod Welding
2	HJCX00263	
3		Inner Drum Assembly
4		
5	BL0323	Nut

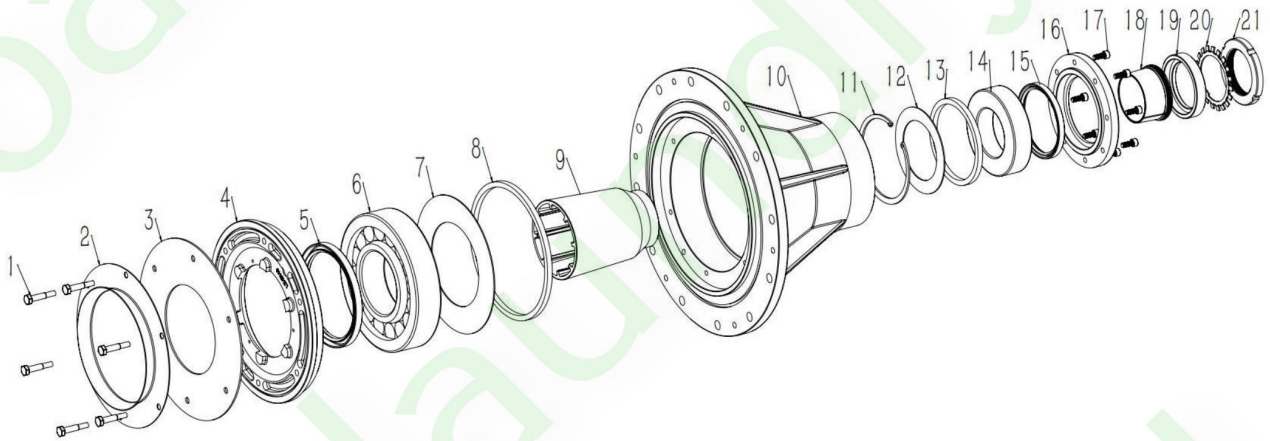
## 外笼组件/Outer Tub Assembly



序号 No	零件编码 Part No	Part Name
1	SX400001	Liner Plate
2&7	HJXC0086	Front Panel
3	SX400037	Counterweight
4	BL0348	Flat Washer
5	BL0403	Spring Washer
6	BL0063	Hexagon Bolt
8	HJXC0747	Front Liner Plate
9	SX400039	Front Cover
10	BL0113	Hexagon Bolt
11	HJXC0089	Outer Tub Welding
12	HJXC0097	Outer Tub Flange
13	BL0103	Hexagon Bolt
14	BL0064	Hexagon Bolt

15	BL0051	Flat Washer
16	BL0313	Spring Washer
17	BL0319	Nut
18	BL0324	Nut
19	BL0072	Hexagon Bolt
20	SX400048	Rear Cover Welding
21	HJXC0087	Rear Panel Welding
22	BL0544	Socket Head Cap Screw
23	BL0362	Hexagon Bolt
25	SX400049	Connecting Angle Steel
26	BL0050	Flat Washer
27	BL0311	Spring Washer
28	BL0115	Hexagon Bolt
29	见下图	Bearing House Assembly
30	SXJ0058	Sealing Gasket D
31	SX400039	Lifting Plate
32	S120021	Steam Heating Group Welding
33	S60001	Electric Heating Flange
34	SX400050	Drain Pan
35	SX400051	Steam Heating Welding

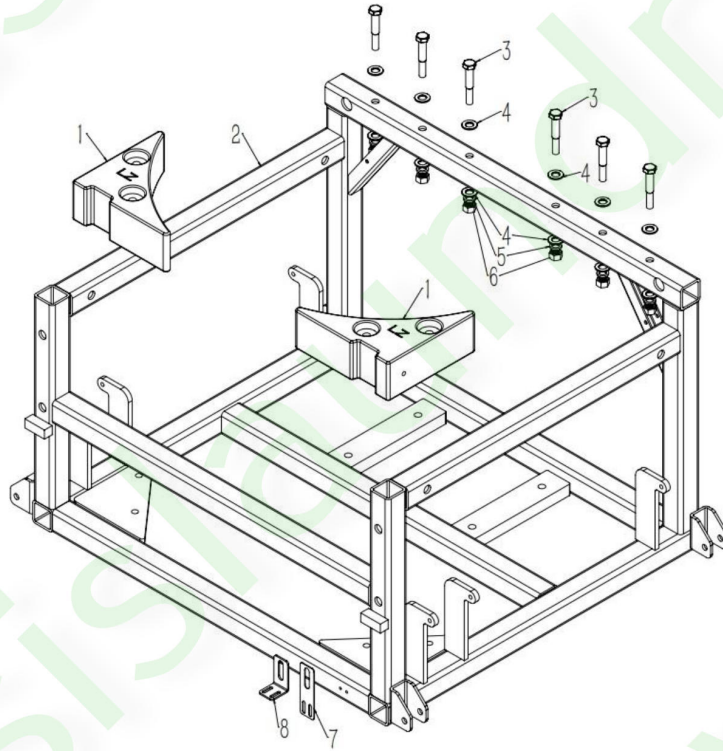
## 轴承座组件/Bearing House Assembly



序号 No	零件编码 Part No	Part Name
1	BL0416	Hexagon Bolt
2	S40018	End Face Oil Seal Dust Shield
3	SX400002	End Face Sealing Plate
4	S40002	Front Cover
5	XY0011	Nitrile Oil Seal
6	WC0037	Bearing
7	SX400005	Front Oil Shield
8	S40007	Front Spacer Ring
9	S40012	Spacer Sleeve
10	S40001	Bearing House
11	TW0004	Retaining Ring
12	SX400004	Rear Oil Shield
13	S40004	Rear Spacer Ring
14	WC0022	Bearing
15	XY0011	Nitrile Oil Seal
16	S40003	Rear cover
17	BL0018	Socket Head Cap Screw
18	TW0005	Withdraw Sleeve
19	S40006	Rear Oil Seal Bushing
20	TW0007	Round Nut Locking Washer
21	TW0006	GB Round Nut

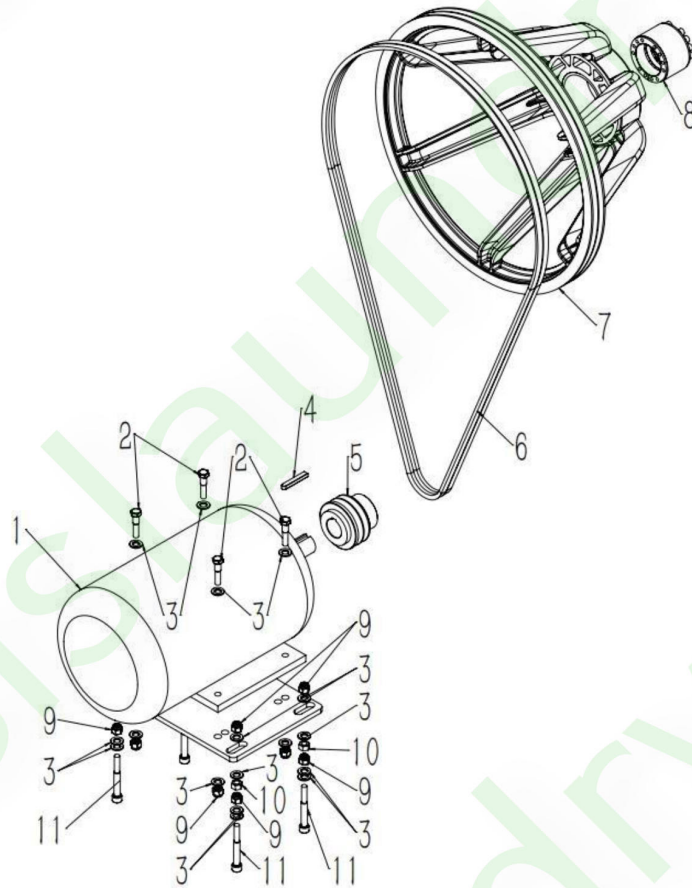


## 悬浮支架/Suspension Frame



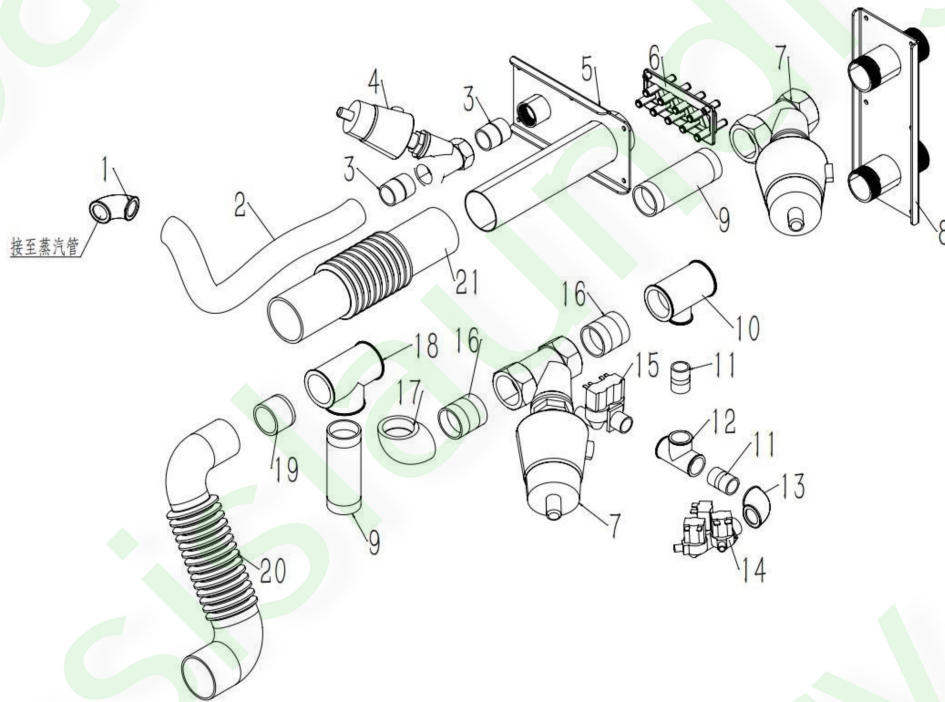
序号 No	零件编码 Part No	Part Name
1	S150036	Counterweight
2	HJCX00128	Frame Welding
3	BL0120	Hexagon Bolt
4	BL0050	Flat Washer
5	BL0311	Spring Washer
6	BL0006	Nut
7	SX400027	Vibration Limit Bracket
8	SX400026	Vibration Switch Bracket

## 传动装配/Drive Assembly



序号 No	零件编码 Part No	Part Name
1	SDJ0045	Motor
2	BL0069	Hexagon Bolt
3	BL0051	Flat Washer
4	TW0003	Feather Key
5	S40010	Belt Pulley
6	SXP0027	Toothed Belt
7	S40011	Spindle Pulley
8	TW0009	Expansion Sleeve
9	BL0149	Locking Nut
10	BL0319	Nut
11	BL0064	Hexagon Bolt

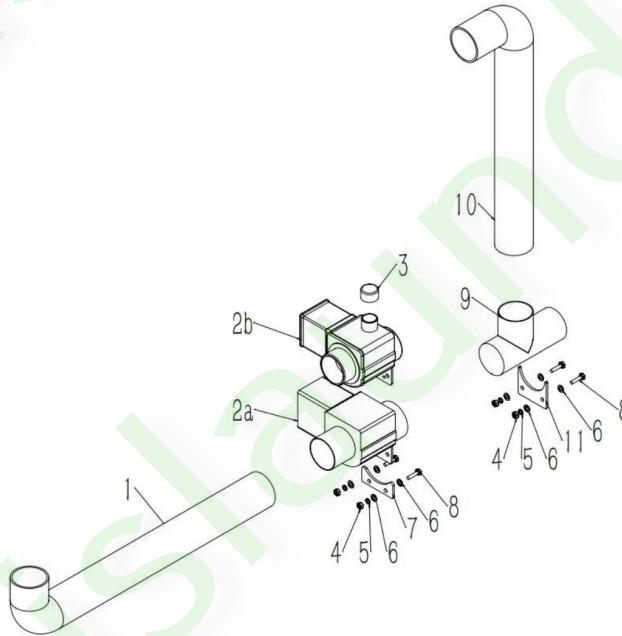
## 水阀和蒸汽组件/Water Valves and Steam Valve



序号 No	零件编码 Part No	Part Name
1	GWG0026	Steam Pipe Elbow
2	TW0074	Steam Hose
3	DXG001	Barrel Nipple
4	GQ0010	1" Pneumatic Valve
5	HJXC0600	Air Balance Port Mounting Plate Welding
6	S0058	Liquid Chemical Inlets
7	GQ0034	1.5" Pneumatic Valve
8	HJXC0829	Water Inlet Mounting Plate Welding
9	S40031	1.5" Barrel Nipple Length 100
10	GWG0087	Reducing Tee
11	TNS0037	Barrel Nipple 2

12	GWG0002	Pipe Tee
13	GWG0003	Elbow
14	WF0028	Triple Solenoid Inlet Valve
15	WF0027	Double Solenoid Inlet Valve
16	S40030	1.5" Barrel Nipple Length50
17	GWG0003	1.5" Internal Threaded Elbow
18	GWG0002	Pipe Tee
19	TNS0060	Barrel Nipple
20	SXJ0014	Water Inlet Hose
21	SXJ0013	

## 排水系统组装/Drain System Assembly



序号 No	零件编码 Part No	Part Name
1	SXJ0009	60KG Washer Overflow Pipe S
2a	GQ0032	Depend Drain Valve
2b	GQ0059	Depend Drain Valve
3	SXJ0011	Drain Plug S
4	BL0004	Nut
5	GZ0311	Spring Washer
6	BL0052	Flat Washer
7	SX400025	Reinforcement Plate
8	BL0109	Hexagon Bolt
9	SX400040	Pipe Tee Welding
10	SXJ0009	

## 电器箱/Electrical Box



序号	零件编码	Part Name
1	TD0285	Breaker
2	TD0006	Fuse
3	TD0004	Relay
4	TD0097	Power supply
5	YDN0077	Controller board
6	SDB0007	Inverter
7	GZ0002	Magnetic valve