

悬浮式水洗机零件手册

自助及非自助

Part Manual for
Soft-Mount Washer-Extractor
Vend & OPL
(10 KG)

OASIS[®]

济南绿洲清洗设备有限公

Jinan Oasis Dry-cleaning & Laundry Equipment

编号/Number: SL10CNEN

发布日期/Release Date: 2024/12

前言

- ✧ 在更换烘干机零部件的时候，必须使用原装的或完全相同的零件。在保养或者替换零件以后，请按照洗衣机原来的方式紧固所有的面板部件，并且将本手册存放在安全的地方，以便日后参考。
- ✧ 当与经销商或者生产商联系的时候，请告知烘干机的确切类型、型号和序列号。洗衣机的类型、型号和序列号在洗衣机的铭牌上可以找到。
- ✧ 生产商有在任何时候修改本手册中任何参数，而不提前通知的权力。本手册所提及的数据参数和图示仅做参考。请注意，本手册只能提供一般的信息，因为本手册不可能非常完整的包含机器一切的信息。

Preface

- ✧ When replacing dryer spare parts, original or identical parts must be used. After maintenance or replacing parts, please tighten all parts as they were originally on the dryer, and store this manual in a safe place for future reference.
- ✧ When contacting the dealer or manufacturer, please provide the exact type, model, and serial number of the dryer. The type, model, and serial number of the dryer can be found on the nameplate.
- ✧ The manufacturer reserves the right to modify any parameters in this manual at any time without prior notice. The data and illustrations mentioned in this manual are for reference only. Please note that this manual can only provide general information, as it is not possible for this manual to include all details about the machine.

本手册适用于一下型号

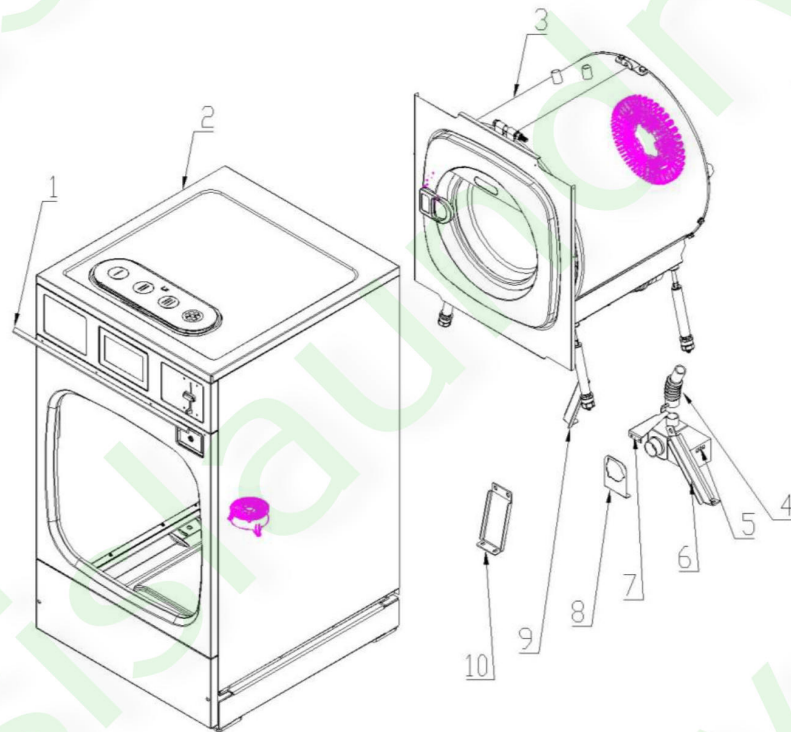
This manual for following models

SXTP100F

目录 Index

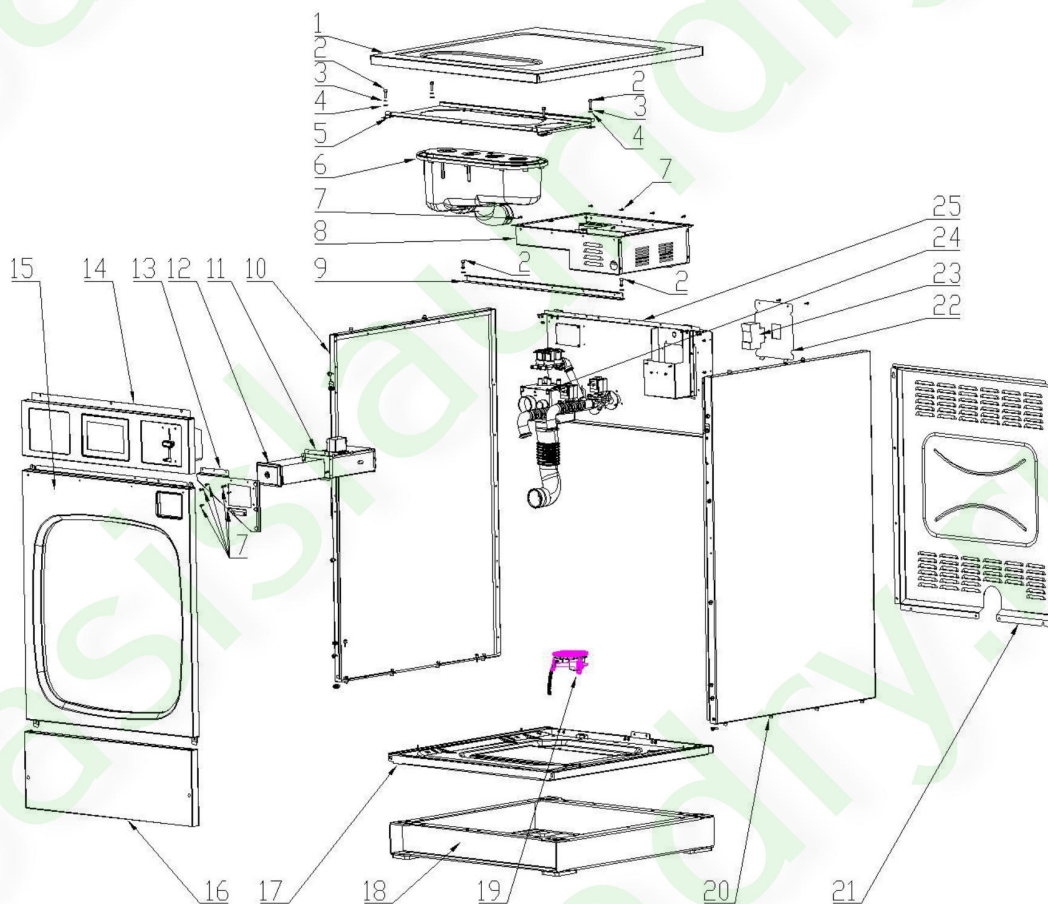
整机装配/Overall Assembly-----	3
箱体装配/Cabinet Assembly-----	4
控制面板装配/Controller Assembly-----	6
集币盒抽屉组装/Mondy Box Drawer Assembly-----	7
集币盒装配/Money Box Support-----	8
皂剂盒组件/Soapbox Assembly-----	9
电器箱/Electric Box-----	10
外筒及传动装配/Out Tub and Drive Assembly-----	11
装载门组件/Loading Door Assembly-----	14
内滚筒组件/Inner Basket Assembly-----	16
门锁/Door lock-----	17
外叉装配/Cross Pieces Assembly-----	19
阻尼器装配/Shock Absorber-----	20
水管/Water pipe-----	21
零件订购/Ordering Parts-----	23
声明/Statement-----	23

整机装配/Overall Assembly



序号 No	零件编码 Part No.	Name
1	SX25G001	Decoration (Option)
2		Cabinet Assembly
3		Out tub assembly
4	YXJ0368	Pipe
5	GQ0060	Electronic drain valve
6	SX10F001	Rear shipping kits
7	Sx10f0025	Overflow pipe support
8	SX10F0026	Drain valve support
9	SX10F0022	Rear shipping kit
10	SX10F0019	Front shipping kit

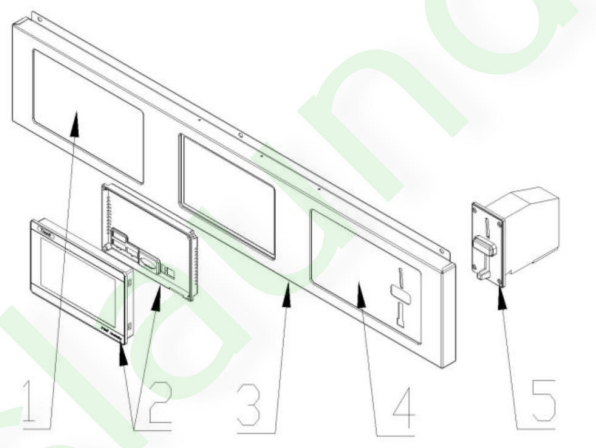
箱体装配/Cabinet Assembly



序号 No	零件编码 Part No.	Name
1	SX10F0008	Top panel
2	BL0040	Bolt
3	BL0312	Washer
4	BL0046	Washer
5	SX10F0007	Saop box support
6		Soap box assemblu

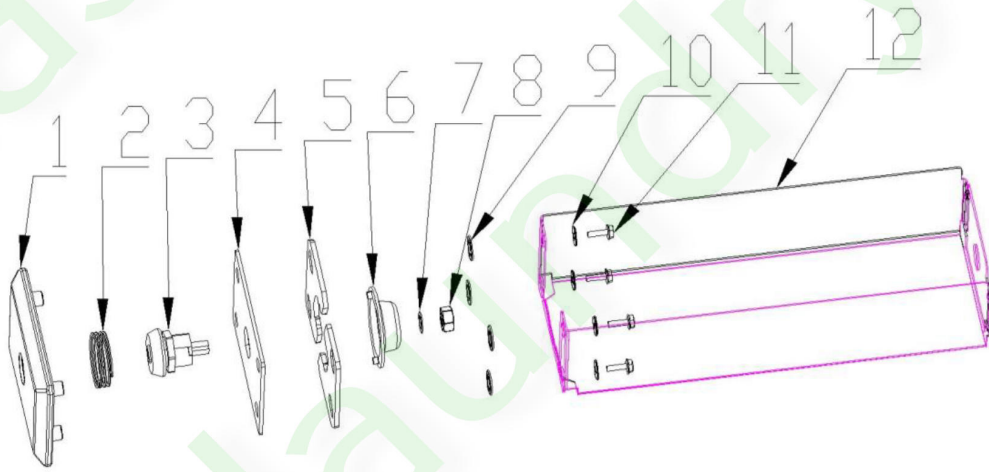
7	BL0677	Screw
8		Electric box
9	SX10F0027	Support bar
10	SX10F0005	Left panel
11		Money box
12		Money box drawer
13	SX15F0021	Money drop support
14	SX10F0029	Control panel assembly
15	SX10F0003	Front panel
16	SX10F0001	Front low panel
17	HJCX00394	Base frame
18	SX10F0017	Base frame
19	YDJ0220	DD Inverter JL-500FA
		Stator
		Rotator
20	SX10F0016	Right panel
21	SX10F0015	Back panel
22	SX10F0013	Electric box cover
23	TD0283	Breaker
24		External soap assembly
25	SX10F0028	Back support bar

控制面板装配/Controller Assembly



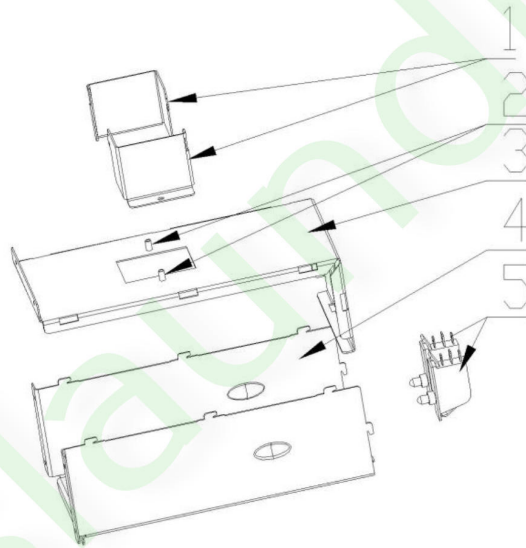
序号 No	零件编码 Part No.	Name
1	M0124	Decal
2	YDN0077	7" control screen
3	SX10F0029	Control panel
4	M0124	Decal
5	TW0205	Money drop

集币盒抽屉组装/Mondy Box Drawer Assembly



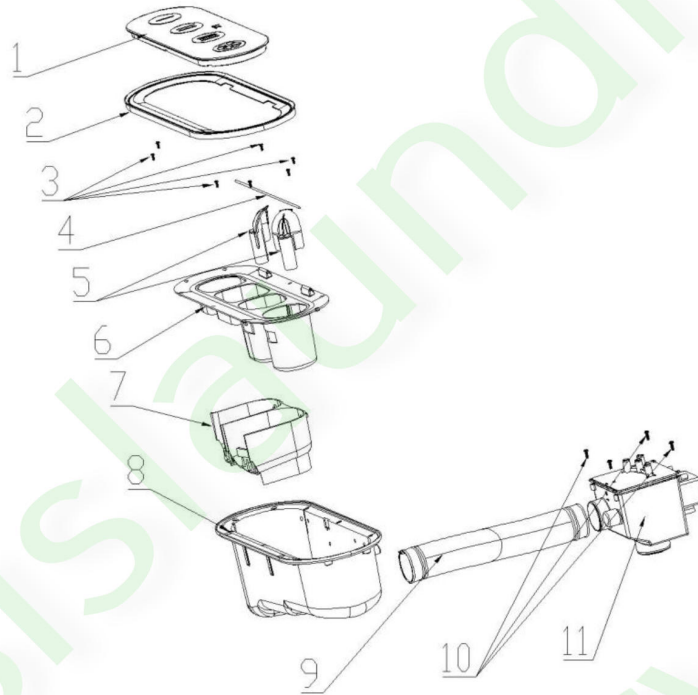
序号 No	零件编码 Part No.	Part Name
1	S0008	Money box front panel
2	TW0184	Spring
3	TW0204	locker
4	SG150031	Locker support
5	SG150032	Locker lip
6	H130006	Rotate paddle
7	BL0052	Flat washer
8	BL0004	Nut
9	BL0348	Washer
10	BL0053	washer
11	BL0654	Bolt
12	SG150033	Money box drawer

集币盒装配/Money Box Support



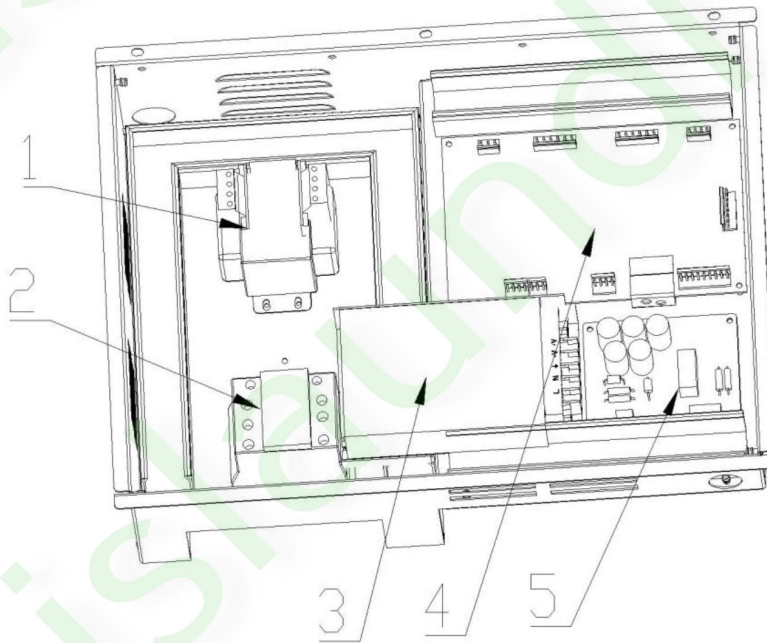
序号 No	零件编码 Part No.	Part Name
1	SX15F0024	Guide plate
2	L0242	Rivet
3	SG150034	Upper plate
4	SG150023	Lower case
5	TD0165	Switch

皂剂盒组件/Soapbox Assembly



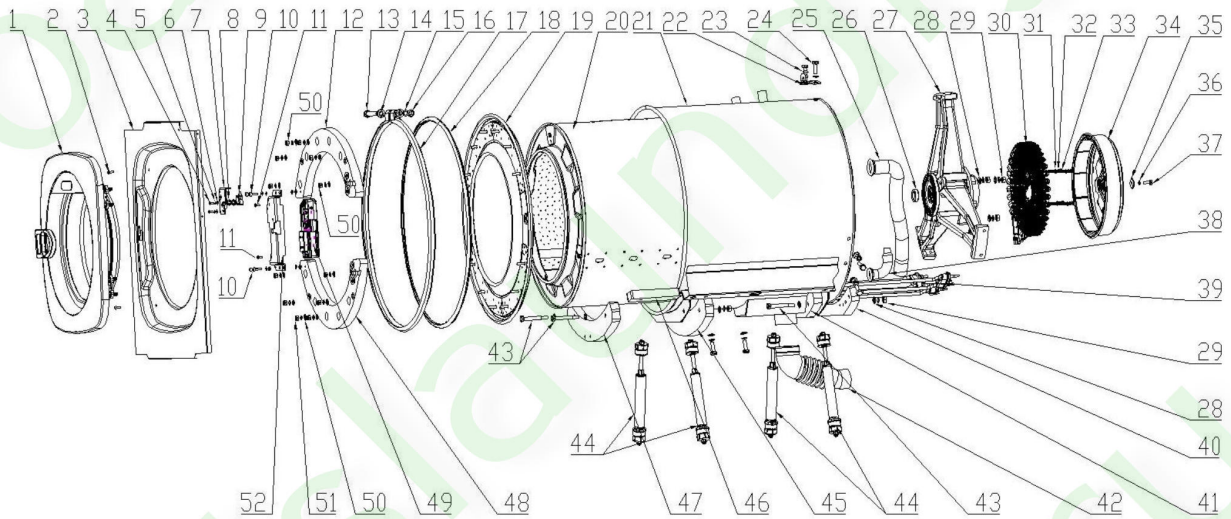
序号 No	零件编码 Part No.	Part Name
1	S0013	Soap box cover
2	SXJ0076	Soap box seal
3	BL0302	screw
4	S150029	Rotate shaft
5	S0117	Siphon tube
6	S0084	Soap compartment
7	S0083	Divider
8	S0033	Outer case
9	SXJ0027	Water outlet
10	BL0301	Screw
11	S0023	Back soap box

电器箱/Electric Box



序号 No	零件编码 Part No.	Part Name
1	TD0271	Voltage converter
2	TD0005	AC contactor
3	TD472	Power supply
4	YDN0077	7"control screen
5	YDN0028	Door lock control

外筒及传动装配/Out Tub and Drive Assembly

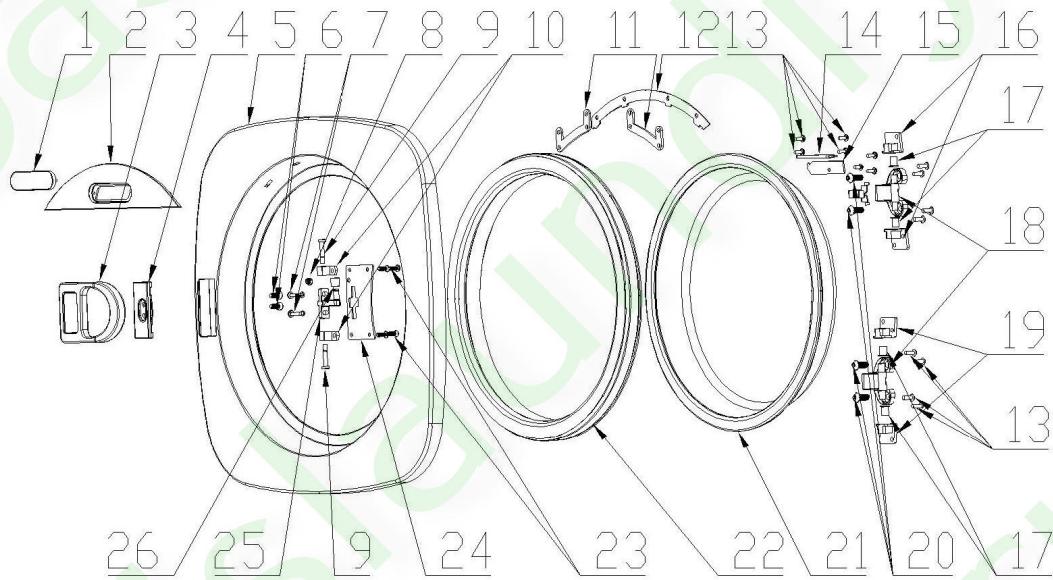


序号 No	零件编码 Part No.	Part Name
1		Loading door assembly
2	BL0030	Bolt
3	PG0009	Front plate
4	BL0255	Bolt
5	BL0310	Washer
6	BL0054	Washer
7	SX10F0023	Balance switch support
8	BL0003	Nut
9	TD662	Micro switch
10	BL0040	Bolt
11	BL0256	Bolt
12	S100013	Counterweight

13	BL0410	Bolt
14	BL0051	Washer
15	BL0313	Washer
16	BL0319	Nut
17	S100006	Out tub wrap cuff
18	YXJ0202	Tub seal
19	HJCX00163	Tub front plate
20		Basket assembly
21	HJCX00186	Out tub
22	SX10F0020	Tub hanger
23	BL0403	Washer
24	BL0389	Bolt
25	SXJ0167	Overflow pipe
26	S100022	washer
27		Cross piece
28	BL0348	Washer
29	BL0003	Nut
30	YDJ0220	Motor stater
		Motor rotator
		Motor driver
31	BL0046	Washer
32	BL0312	Washer
33	BL0672	Bolt
34		Motor rotator
35	BL0367	Washer
36	GZ0311	Washer
37	BL0109	Bolt
38	SXJ0168	Overflow pipe
39	A0007	Electric heating element

40	S100019	Back counterweight A
41	S100020	Back counterweight B
42	YXJ0333	Flexible water pipe
43	BL0643	Bolt
44		Suspension
45	S100016	Front counterweight A
46	S100018	Counterweight
47	S100017	Front counterweight B
48	S100014	Counterweight
49		Door lock assembly
50	BL0052	Washer
51	BL0004	nut
52	ZS0367	Door lock support

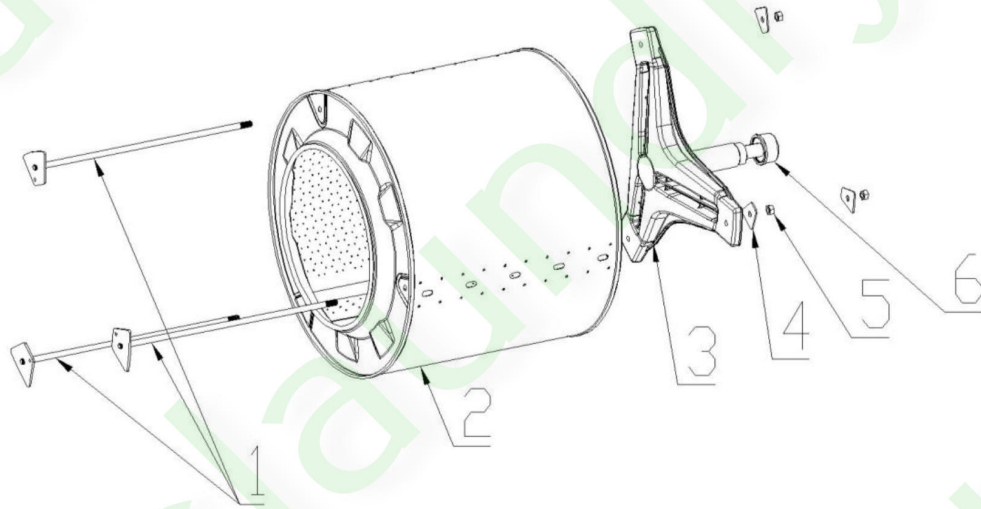
装载门组件/Loading Door Assembly



序号 No	零件编码 Part No.	Part Name
1	S0089	Brand logo
2	SX20B-0001	Logo plate
3	ZLMY0069	Door handle
4	S150037	Handle support
5	ZS0225	Door frame
6	BL0038	Screw
7	BL0613	Bolt
8	BL0152	Nut
9	S150040	Door pin
10	S150038	Door pin support
11	SX20F0006	Logo plate holder
12	SX20F0007	Press plate
13	BL0256	Screw

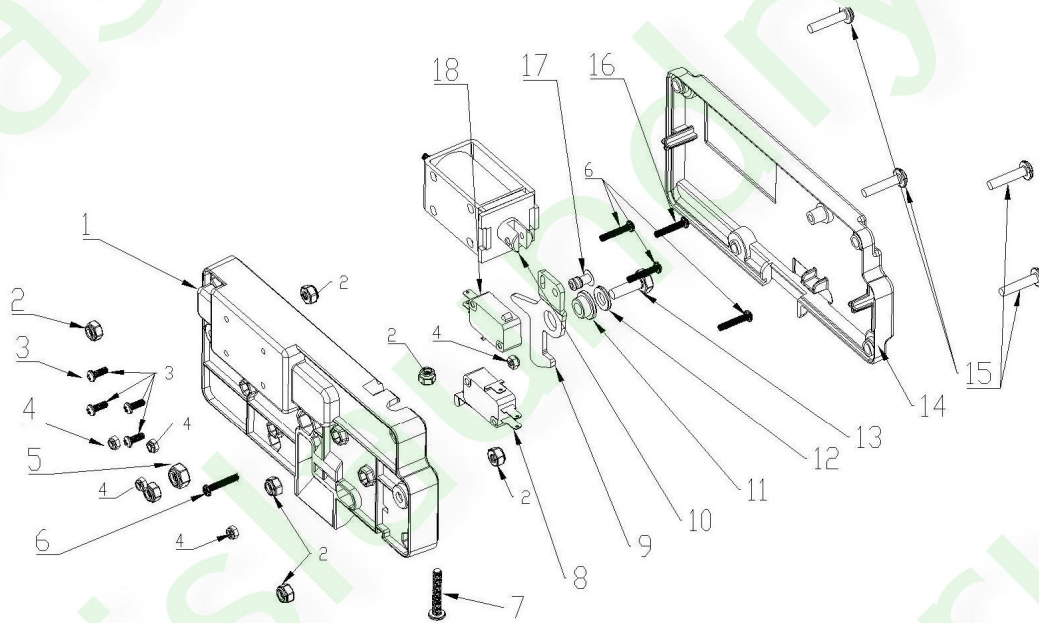
14	TD0274	LED light
15	SX15F0022	Light wire cover
16	S150065	Hinge upper cover
17	TW0880	Self-lubricated piece
18	ZS0234	Hinge
19	S150066	Hinge low cover
20	BL0825	Screw
21	TW0702	Door glass
22	YXJ0339	Door seal
23	BL0476	Screw
24	SX20F0009	Door hook press
25	S150039	Door hook
26	S150041	Door lock piece

内滚筒组件/Inner Basket Assembly



序号 No	零件编码 Part No.	Part Name
1	ZS0210	Pull bar
2	HJCX00261	Inner basket
3	ZLMY0085	Cross Piece
4	ZS0321	Basket back piece
5	BL0319	Nut
6	S100023	Water seal sleeve

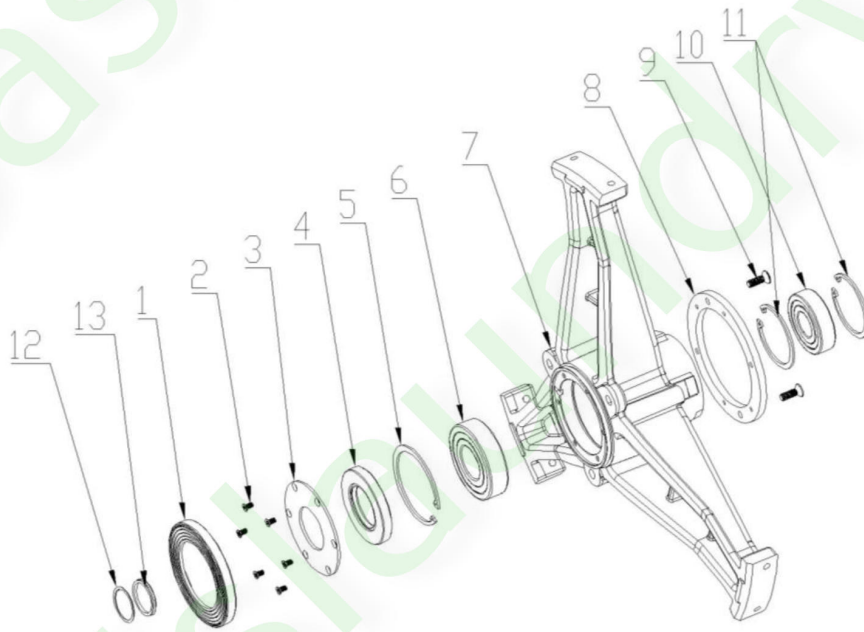
门锁/Door lock



序号 No	零件编码 Part No.	Part Name
1	S0135	Lock lower case
2	BL0152	Nut
3	BL0559	Bolt
4	BL0145	Nut
5	BL0151	nut
6	BL0652	Bolt
7	BL0307	Screw
8	TD663	Micro switch
9	SX30G0024	Lock hook
10	TW0705	Megnatic
11	ZS0353	Door lock washer
12	BL0046	Flat washer
13	BL0104	Blot

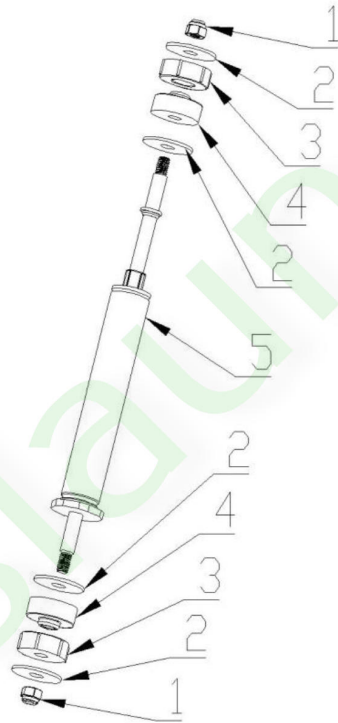
14	S0136	Lock upper cover
15	BL0613	Bolt
16	BL0747	Bolt
17	L0237	Rivet
18	TD662	Micro switch

外叉装配/Cross Pieces Assembly



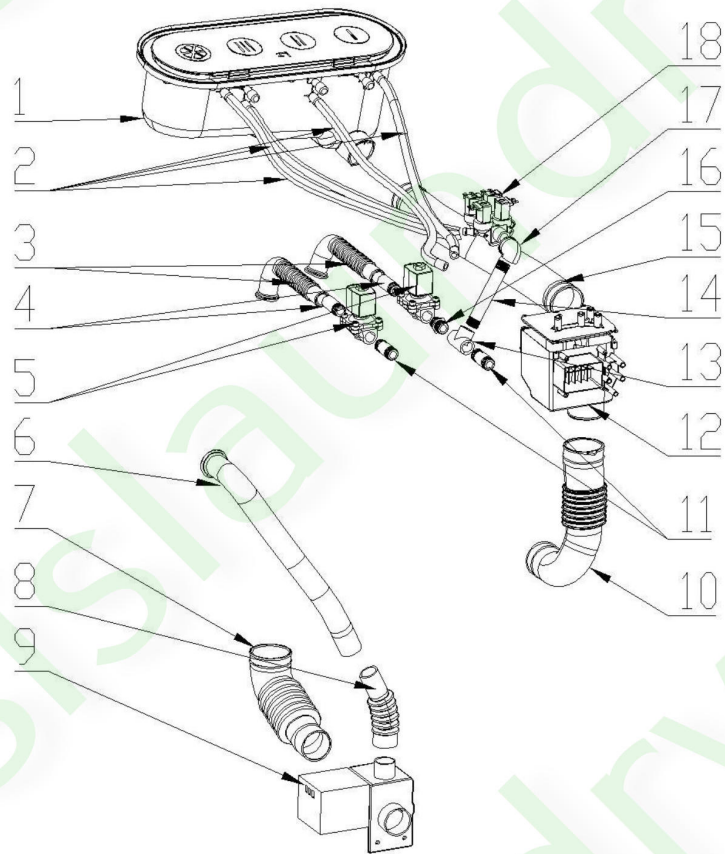
序号 No	零件编码 Part No.	Part Name
1	YXJ0306	Rubber seal
2	BL0255	Bolt
3	ZS0474	Cover plate
4	XY0088	Water seal
5	TW0055	Bearing stop
6	WC0143	Bearing
7	S100021	Cross piece
8	ZS0475	Fix plate
9	BL0171	Bolt
10	WC0142	Bearing
11	TW0089	Bearing stop
12	SX10F0024	V shape adjustment
13	XY0030	Viton water seal

阻尼器装配/Shock Absorber



序号 No	零件编码 Part No.	Part Name
1	BL0391	Nut
2	SX10F0030	Washer
3	GXJ0147	Up rubber washer
4	GXJ0146	Low Rubber washer
5	TW0568	Shock absaober

水管/Water pipe



序号 No	零件编码 Part No.	Part Name
1		Internal soap box
2	WF0029	Electronic soap valve
3	YXJ0167	Water inlet
4	TNS0018	Out screw connector
5	GQ0029	Water inlet valve
6	SXJ0167	Overflow pipe
7	YXJ0345	Inlet water pipe
8	YXJ0368	Rubber pipe
9	GQ0060	Electronic drain valve
10	YXJ0263	External soap outlet pipe
11	TNS0018	Couple screw connector

12		External soap box cover
13	GWG0045	T connector
14	TNS0027	Couple screw connector
15	SXJ0027	Internal soap water outlet
16	GWG0076	Screw couple
17	GWG0063	Elbo
18	WF0029	Soap valve