

悬浮式水洗衣机零件手册  
自助及非自助  
Part Manual for  
Soft-Mount Washer-Extractor  
Vend & OPL  
(15KG)

**OASIS**<sup>®</sup>

济南绿洲清洗设备有限公

Jinan Oasis Dry-cleaning & Laundry Equipment

编号/Number: SL15CNEN

发布日期/Release Date: 2024/12

## 前言

- ✧ 在更换烘干机零部件的时候，必须使用原装的或完全相同的零件。在保养或者替换零件以后，请按照洗衣机原来的方式紧固所有的面板部件，并且将本手册存放在安全的地方，以便日后参考。
- ✧ 当与经销商或者生产商联系的时候，请告知烘干机的确切类型、型号和序列号。洗衣机的类型、型号和序列号在洗衣机的铭牌上可以找到。
- ✧ 生产商有在任何时候修改本手册中任何参数，而不提前通知的权力。本手册所提及的数据参数和图示仅做参考。请注意，本手册只能提供一般的信息，因为本手册不可能非常完整的包含机器一切的信息。

## Preface

- ✧ When replacing dryer spare parts, original or identical parts must be used. After maintenance or replacing parts, please tighten all parts as they were originally on the dryer, and store this manual in a safe place for future reference.
- ✧ When contacting the dealer or manufacturer, please provide the exact type, model, and serial number of the dryer. The type, model, and serial number of the dryer can be found on the nameplate.
- ✧ The manufacturer reserves the right to modify any parameters in this manual at any time without prior notice. The data and illustrations mentioned in this manual are for reference only. Please note that this manual can only provide general information, as it is not possible for this manual to include all details about the machine.

本手册适用于一下型号

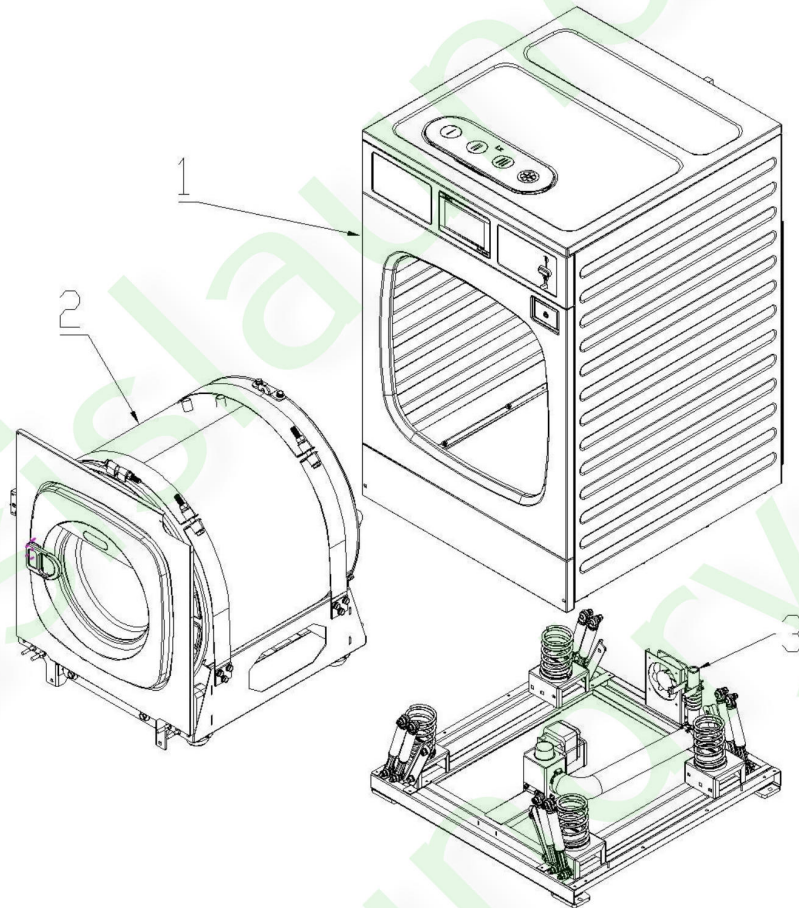
This manual for following models

SXTP150F
----------

## 目录 Index

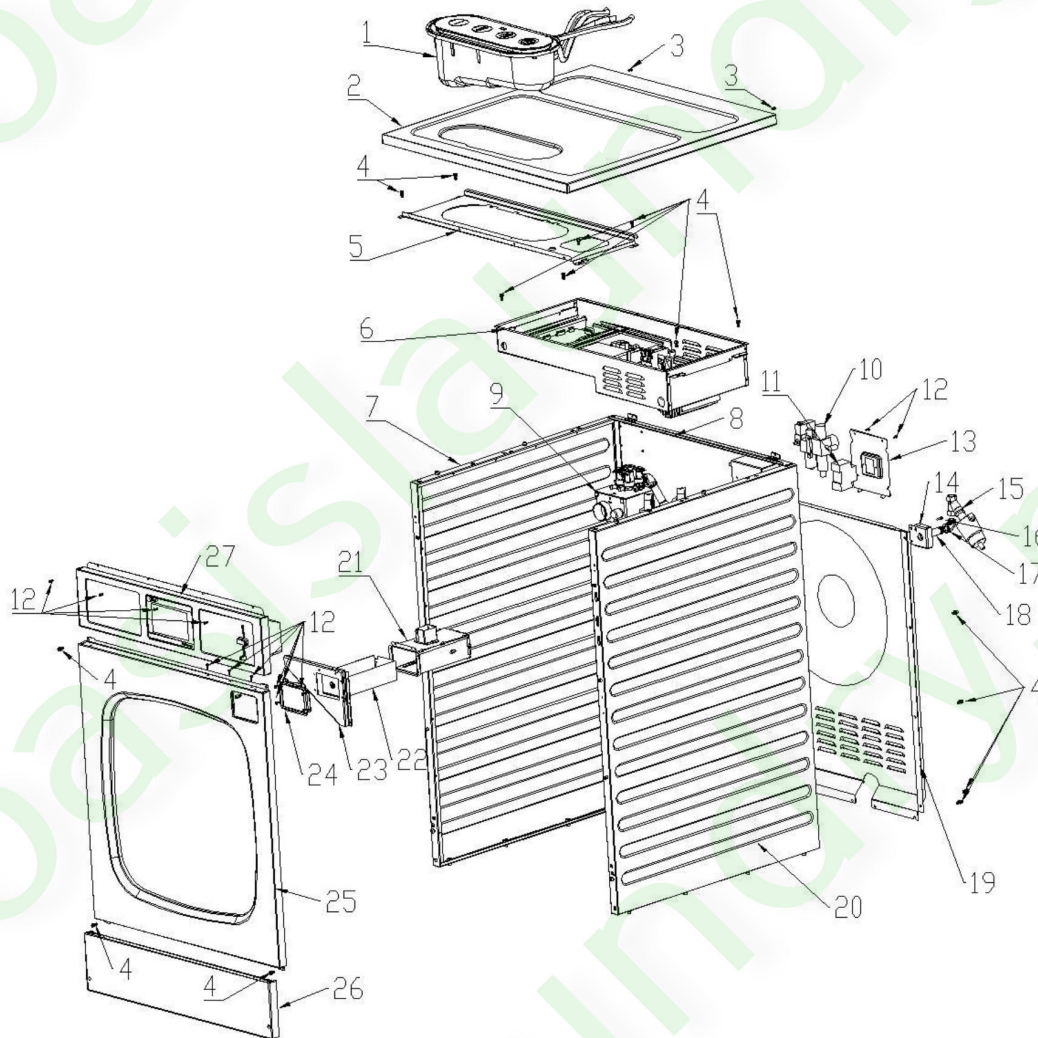
整机装配/Overall Assembly-----	3
箱体装配/Cabinet Assembly-----	4
控制面板装配/Controller Assembly-----	6
集币盒抽屉组装/Mondy Box Drawer Assembly-----	7
集币盒装配/Money Box Support-----	8
皂剂盒组件/Soapbox Assembly-----	9
电器箱/Electric Box-----	10
外筒装配/Out Tub Assembly-----	11
装载门组件/Loading Door Assembly-----	14
内滚筒组件/Inner Basket Assembly-----	16
门锁/Door lock-----	17
轴承座装配/Bearing House Kit-----	19
外筒支架装配/Out Tub Support-----	20
悬浮底座装配/Suspension Base-----	21
水管/Water pipe-----	23
蒸汽管路/Steam pipe-----	25
零件订购/Ordering Parts-----	27
声明/Statement-----	27

## 整机装配/Overall Assembly



序号 NO	零件编码 Part No	Part Name
1		Cabinet assembly
2		Out tub assembly
3		Base frame assembly

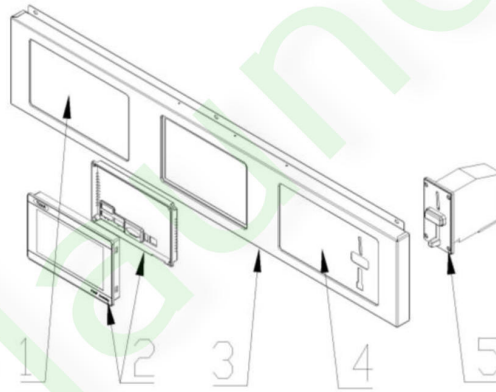
## 箱体装配/Cabinet Assembly



序号 No	零件编码 Part No.	Part Name
1	S0033	Top Chemical compartment
2	SX15F0001	Top cover
3	BL0749	304 Cross head screw
4	BL0038	Allen socket bolts

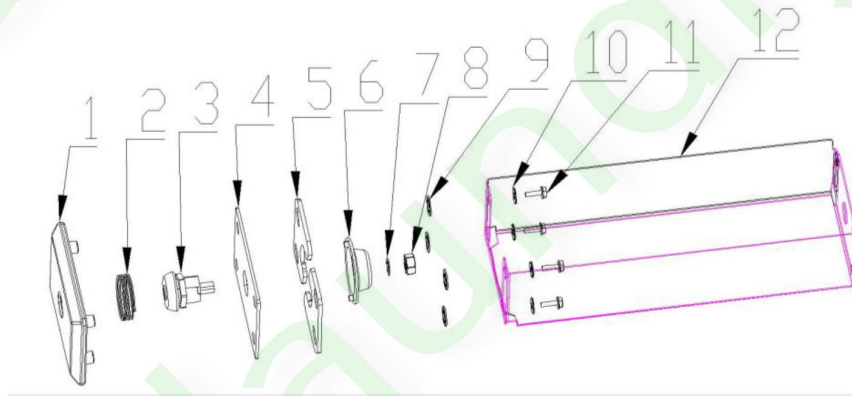
5	SX15F0004	Support
6		Electric box
7	SX15F0016	Side panel
8	SX15F0009	Back panel support
9	S0023	Back chemical box
10	GZ0003	Air filter
11	TD929	Breaker
12	BL0749	304 cross head screw
13	SX15F0023	Electric box cover
14	S100024	Steam valve supporter
15	GQ0007	Pneumatic steam valve
16	BL0249	304 cross head screw
17	GWG0062	Elbo
18	DXG018	1/4 Outer pair of filaments
19	SX15F0019	Back panel
20	SX15F0020	Right side panel
21		Money drop
22		Money box
23	SX15F0021	Money drop fixer
24	SX150051	Money box protector (not for USA models)
25	SX15F0002	Front panel
26	SX15F0003	Front lower panel
27		Controller assembly

## 控制面板装配/Controller Assembly



序号 No	零件编码 Part No.	Part Name
1	M0126	Decal
2	YDN0077	7" Screen
3	0017	Control board
4	M0126	Decal
5	TW0205	Money drop

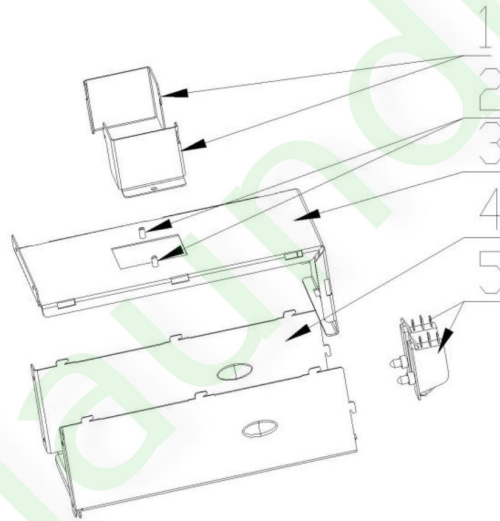
## 集币盒抽屉组装/Mondy Box Drawer Assembly



序号 No	零件编码 Part No.	Part Name
1	S0008	Money box front panel
2	TW0184	Spring
3	TW0204	locker
4	SG150031	Locker support
5	SG150032	Locker lip
6	H130006	Rotate paddle
7	BL0052	Flat washer
8	BL0004	Nut
9	BL0348	Washer
10	BL0053	washer
11	BL0654	Bolt
12	SG150033	Money box drawer

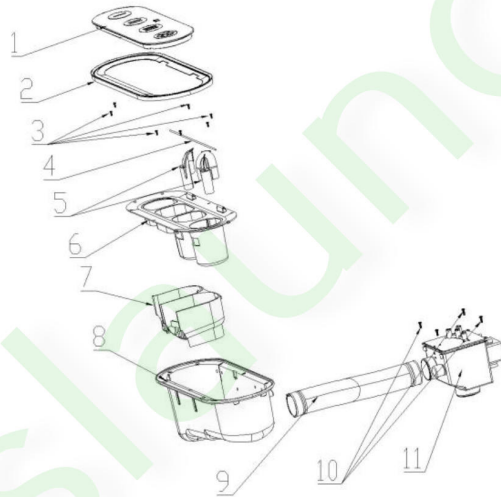


## 集币盒装配/Money Box Support



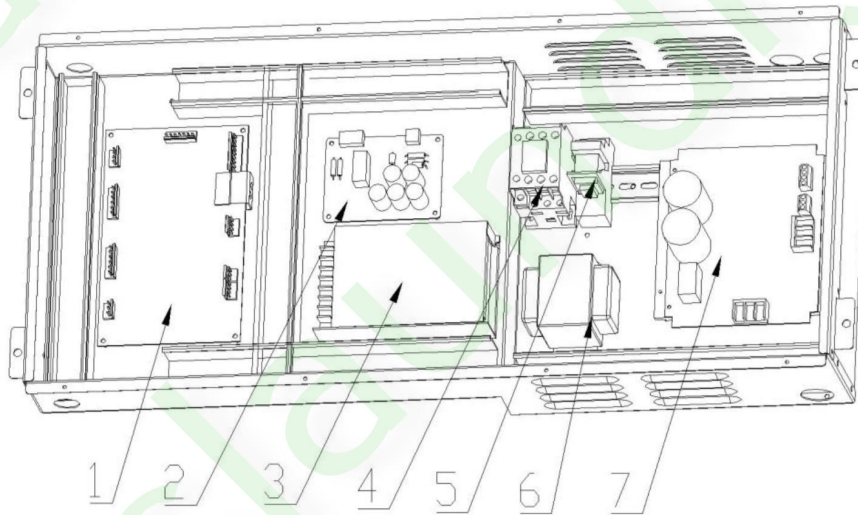
序号 No	零件编码 Part No.	Part Name
1	SX15F0024	Guide plate
2	L0242	Rivet
3	SG150034	Upper plate
4	SG150023	Lower case
5	TD0165	Switch

## 皂剂盒组件/Soapbox Assembly



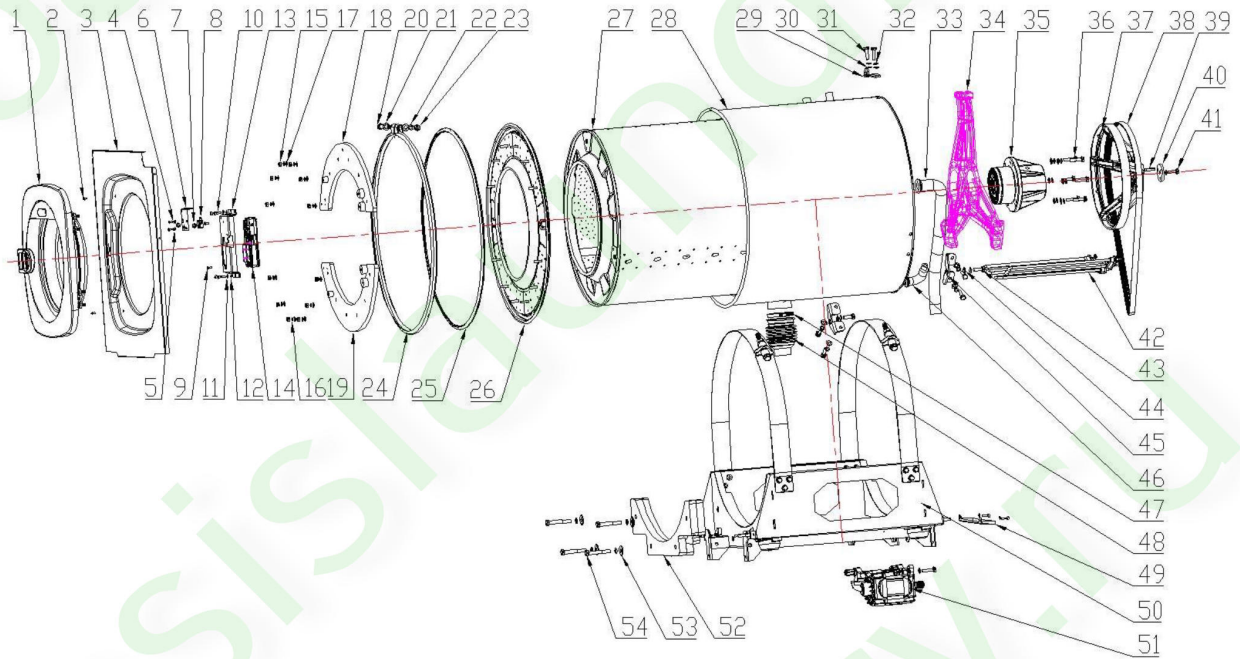
序号 No	零件编码 Part No.	Part Name
1	S0013	Soap box cover
2	SXJ0076	Soap box seal
3	BL0302	screw
4	S150029	Rotate shaft
5	S0117	Siphon tube
6	S0084	Soap compartment
7	S0083	Divider
8	S0033	Outer case
9	SXJ0027	Water outlet
10	BL0301	Screw
11	S0023	Back soap box

## 电器箱/Electric Box



序号 No	零件编码 Part No.	Part Name
1	YDN0077	7" Screen
2	YDN0028	Door locker board
3	TD472	Power supply
4	TD0008	AC contactor
5	TD0004	Relay
6	TD0271	Voltage convertor
7	SDB0001	Inverter

## 外筒装配/Out Tub Assembly

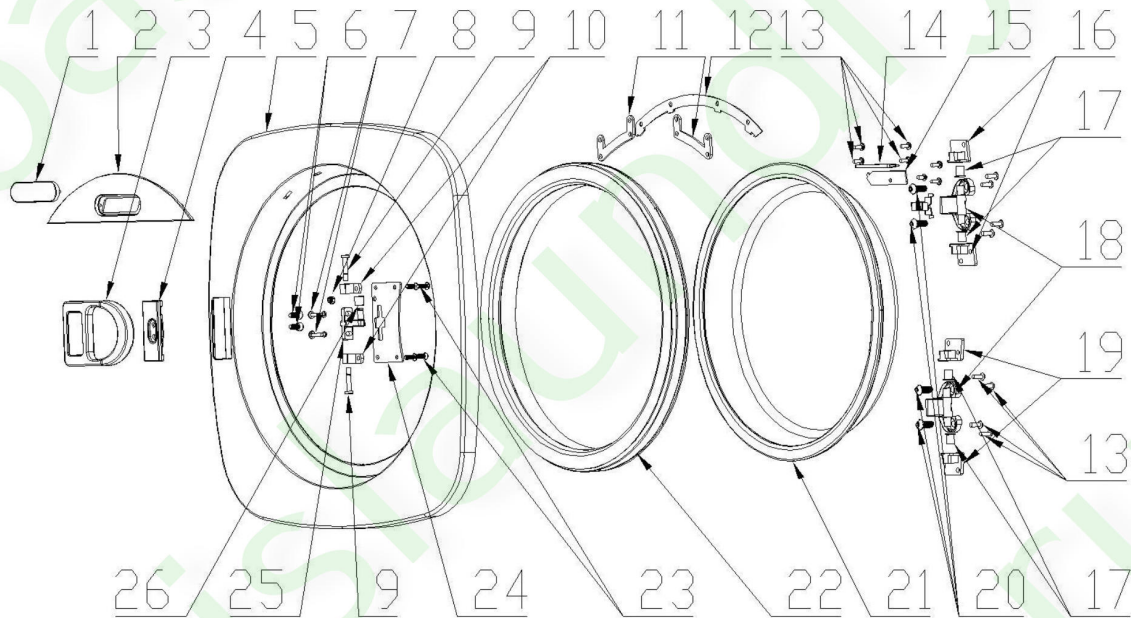


序号 No	零件编码 Part No.	Part Name
1		Loading door assembly
2	BL0392	Bolt
3	PG0121	Front plate
4	BL0310	Spring washer
5	BL0054	Flat washer
6	SX15F0013	Balance switch support
7	BL0003	Nut
8	TD662	Micro switch
9	BL0256	Crew
10	BL0040	Bolt
11	BL0312	Spring washer

12	BL0046	Flat washer
13	S150055	Door locker support
14	V601	Door lock assembly
15	BL0004	Nut
16	GZ0311	Washer
17	BL0052	Washer
18	ZS0476	Upper counterweight on tub
19	S150057	Lower counterweight on tub
20	BL0410	Screw
21	BL0051	Nut
22	BL0312	Nut
23	BL0319	Screw
24	S150058	Tub wrap fixer
25	YXJ0202	Tub seal
26	HJXC00165	Out tub front plate
27	HJXC00341	Inner basket
28	HJXC00027	Outer tub
29	SX15F0015	Tub hanger plate
30	BL0348	washer
31	BL0070	Bolt
32	BL0403	Washer
33	SXJ0167	Overflow pipe
34	S150059	Cross piece
35		Bearing house Assembly
36	BL0096	Bolt
37	S150061	Big pully
38	XP0091	Belt
39	TW0048	Pin

40	S150033	Big pully pressor
41	BL0389	Bolt
42	A0007	Electric heating element
43	BL0084	Bolt
44	SX15F0025	Washer
45	SX15F0014	Fixer for cross piece
46	SXJ0168	Water level tube
47	TW0096	SS pipe cuff
48	SXJ0075	Flexible Drain pipe
49	SX15F0010	Motor protection
50	HJCX00387	Out tub holder
51	YDJ0194	Motor
52	S150062	Counterweight
53	TW0608	Pin
54	BL0090	Bolt

## 装载门组件/Loading Door Assembly

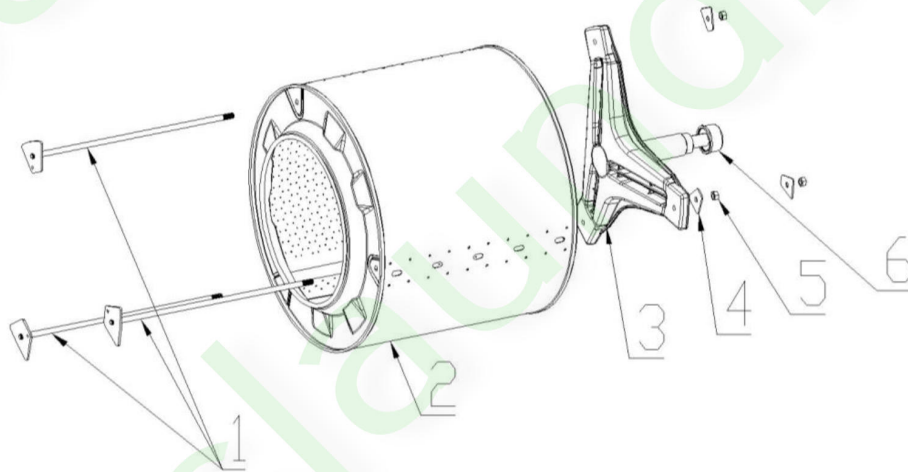


序号 No	零件编码 Part No.	Part Name
1	S0089	Brand logo
2	SX20B-0001	Logo plate
3	ZLMY0069	Door handle
4	S150037	Handle support
5	ZS0225	Door frame
6	BL0038	Screw
7	BL0613	Bolt
8	BL0152	Nut
9	S150040	Door pin
10	S150038	Door pin support
11	SX20F0006	Logo plate holder
12	SX20F0007	Press plate
13	BL0256	Screw

14	TD0274	LED light
15	SX15F0022	Light wire cover
16	S150065	Hinge upper cover
17	TW0880	Self-lubricated piece
18	ZS0234	Hinge
19	S150066	Hinge low cover
20	BL0825	Screw
21	TW0702	Door glass
22	YXJ0339	Door seal
23	BL0476	Screw
24	SX20F0009	Door hook press
25	S150039	Door hook
26	S150041	Door lock piece

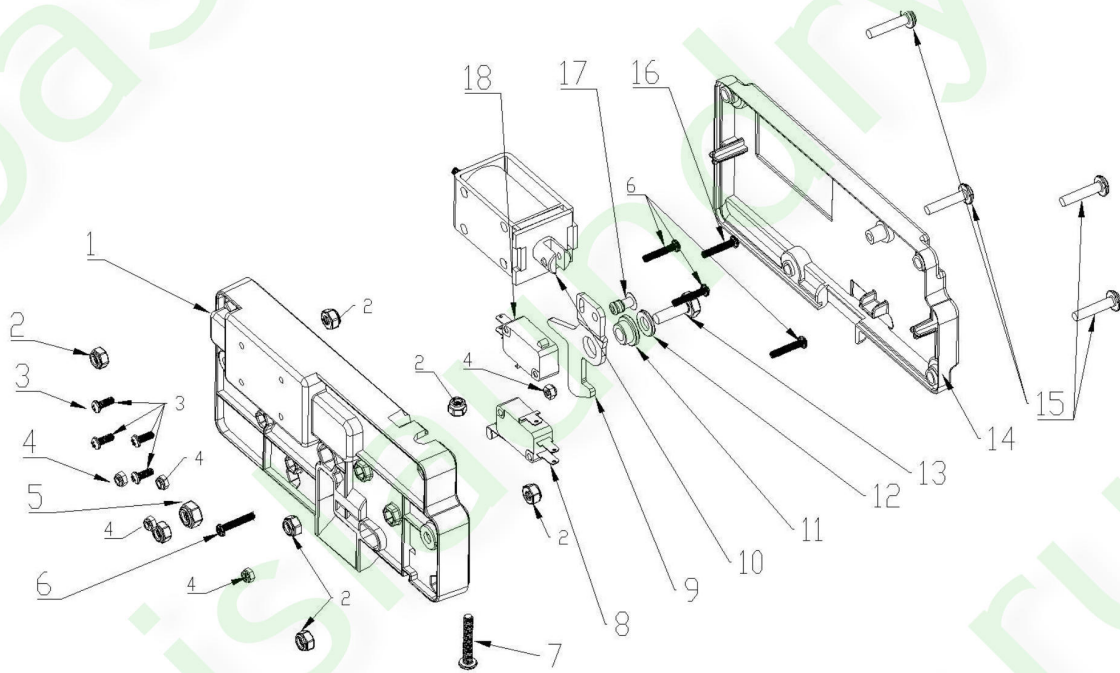


## 内滚筒组件/Inner Basket Assembly



序号 No	零件编码 Part No.	Part Name
1	ZS0153	Pull bar
2	HJCX00341	Inner basket
3	ZLMY0072	Cross Piece
4	SX15F0026	Lifter back piece
5	BL0319	Nut
6	ZS0282	Water seal sleeve

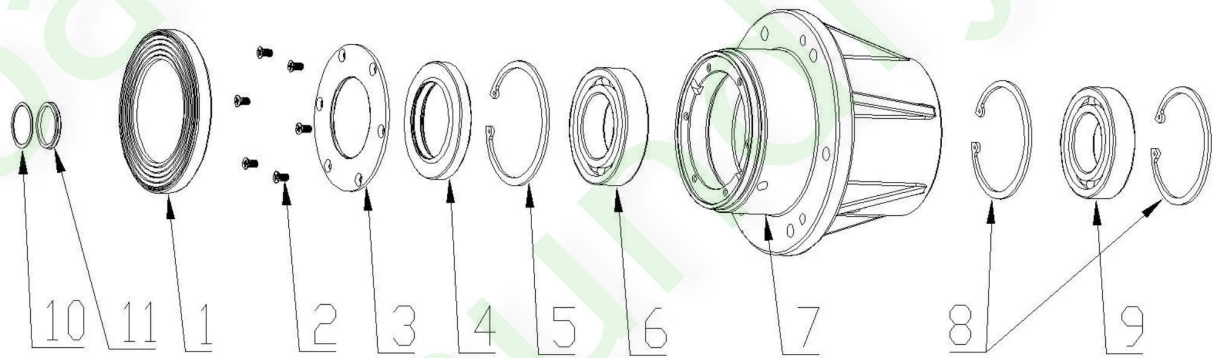
## 门锁/Door lock



序号 No	零件编码 Part No.	Part Name
1	S0135	Lock lower case
2	BL0152	Nut
3	BL0559	Bolt
4	BL0145	Nut
5	BL0151	nut
6	BL0652	Bolt
7	BL0307	Screw
8	TD663	Micro switch
9	SX30G0024	Lock hook
10	TW0705	Megnatic
11	ZS0353	Door lock washer
12	BL0046	Flat washer

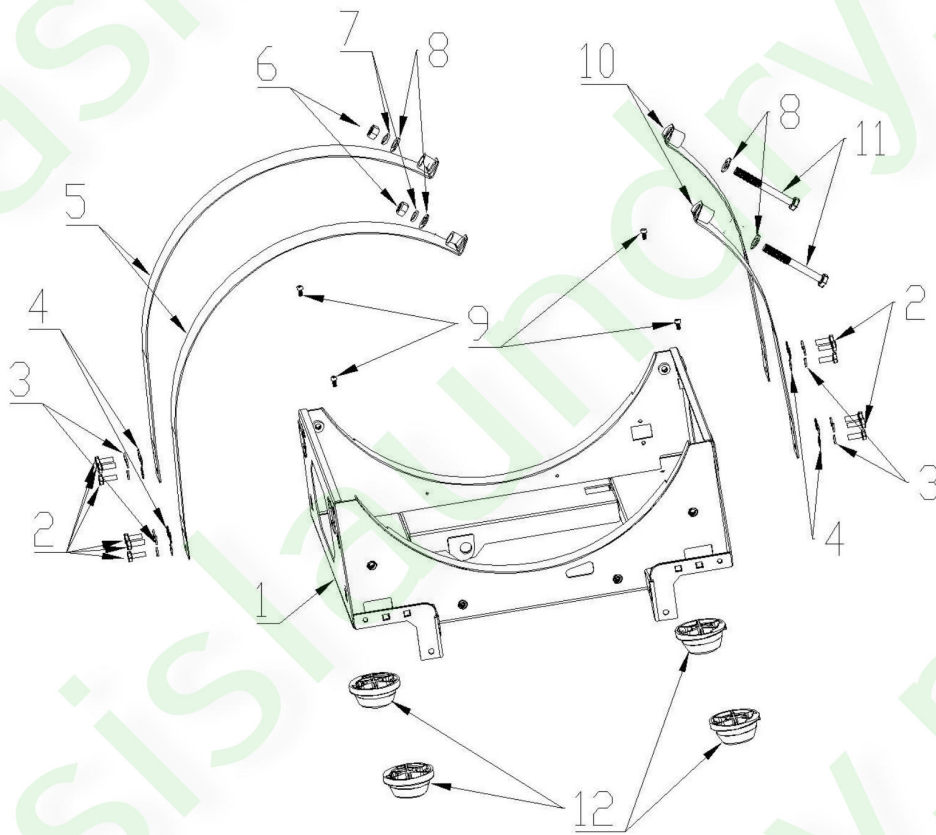
13	BL0104	Blot
14	S0136	Lock upper cover
15	BL0613	Bolt
16	BL0747	Bolt
17	L0237	Rivet
18	TD662	Micro switch

### 轴承座装配/Bearing House Kit



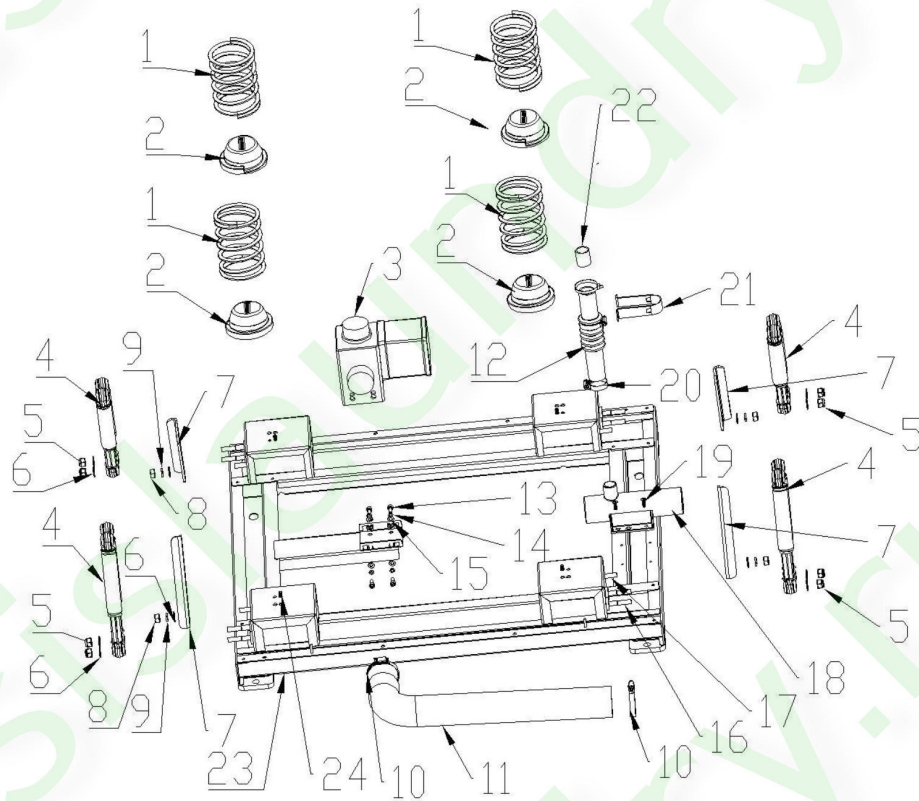
序号 No	零件编码 Part No.	Part Name
1	YXJ0306	Rubber cover
2	BL0255	Bolt
3	S150063	Bearing house cover
4	XY0074	Nitrile seal
5	TW0055	Bearing stop
6	WC0141	Bearing
7	S150064	Bearing house
8	TW0050	Bearing stop
9	WC0140	Bearing
10	SX15F0027	V shape seal
11	XY0110	Viton water seal

## 外筒支架装配/Out Tub Support



序号 No	零件编码 Part No.	Part Name
1	HJXC00387	Out tub support
2	BL0072	Bolt
3	BL0403	Washer
4	BL0348	Flat washer
5	SX15F0028	But wrap cuff
6	BL0319	Bolt
7	BL0313	Washer
8	BL0051	Flat washer
9	BL0038	Bolt
10	SX15F0029	But wrap cuff
11	BL0410	Bolt
12		Spring holder

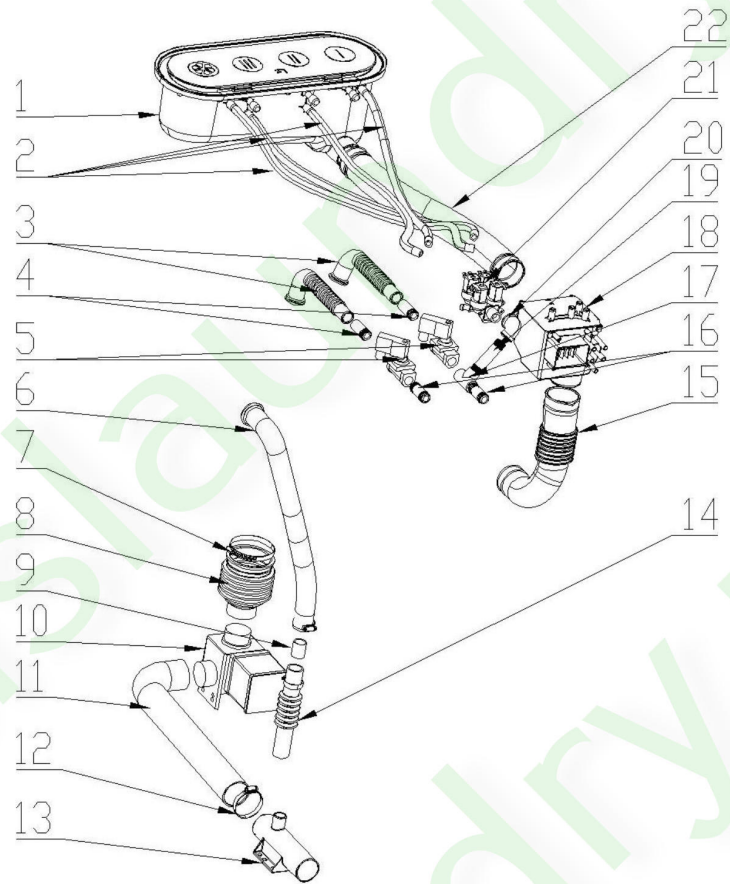
### 悬浮底座装配/Suspension Base



序号 No	零件编码 Part No.	Part Name
1	TW0713	Spring
2	S0032	Spring holder
3	GQ0031	Electronic drain vlave
4	TW0568	Shock abosorber
5	BL0144	Nut
6	BL0348	Washer
7	SX15F0011	Shipping kits
8	BL0003	Nut
9	BL0403	Washe
10	TW0992	SS cuff

11	YXJ0374	Drain pipe
12	YXJ0368	Rubber pipe
13	BL0651	Bolt
14	BL0310	Washer
15	BL0054	Washer
16	BL0011	Bolt
17	BL0072	Bold
18	S0137	Drain pipe
19	BL0476	Bolt
20	TW0103	SS cuff
21	不用	Overflow pipe holder
22	S100009	Over frow connection
23	HJCX00386	Base frame
24	BL0038	Bolt

水管/Water pipe

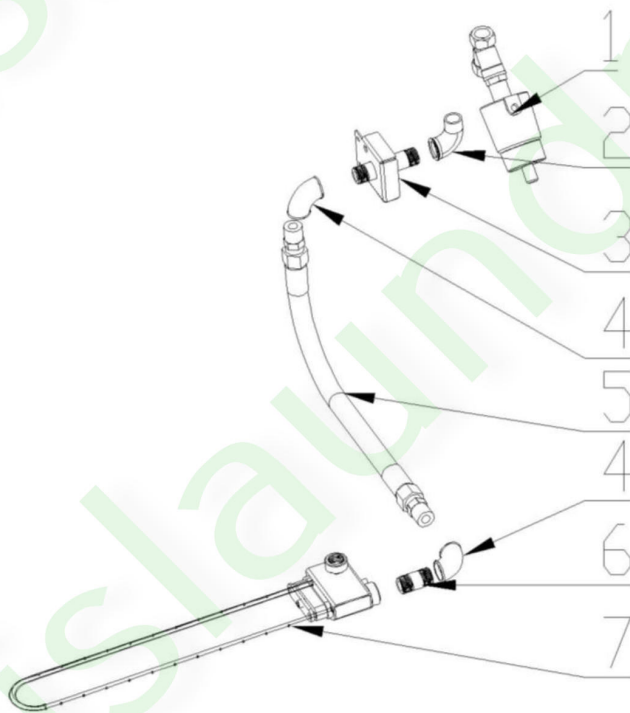


序号 No	零件编码 Part No.	Part Name
1		Upper Soap box
2	WF0029	Magnetic valve
3	YXJ0167	Water inlet
4	TNS018	1/2 out screw pipe
5	GQ0029	Electronic water inlet valve
6	SXJ0167	Overflow pipe
7	TW0096	SS cuff



8	YXJ0345	Drainage
9	S150042	Overflow pipe connection
10	GQ0060	Electronic drain valve
11	SXJ0073	Drainage pipe
12	TW0992	SS cuff
13	S0137	Drainage pipe
14	YXJ0368	Rubber pipe
15	SXJ0066	External soap outlet water pipe
16	TNS0018	Screw connector
17	GWG0042	T connection
18	S0023	External soap box cover
19	BXGW0004	Screw connection
20	GWG0063	Elbo
21	WF0029	Electronic soap valve
22	SXJ0027	Internal soap outlet water pipe

蒸汽管路/Steam pipe



序号 No	零件编码 Part No.	Part Name
1	GQ0007	Pneumatic steam valve
2	GWG0062	Elbo
3	S100024	Steam valve support
4	GWG0044	Elbo
5	TW0065	Steam pipe and connection
6	BXG012	Connector
7	S150050	Steam Injector