

悬浮式水洗机零件手册

自助及非自助

Part Manual for
Soft-Mount Washer-Extractor
Vend & OPL
(25 KG)

OASIS[®]

济南绿洲清洗设备有限公

Jinan Oasis Dry-cleaning & Laundry Equipment

编号/Number: SL25CNEN

发布日期/Release Date: 2024/12

前言

- ✧ 在更换烘干机零部件的时候，必须使用原装的或完全相同的零件。在保养或者替换零件以后，请按照洗衣机原来的方式紧固所有的面板部件，并且将本手册存放在安全的地方，以便日后参考。
- ✧ 当与经销商或者生产商联系的时候，请告知烘干机的确切类型、型号和序列号。洗衣机的类型、型号和序列号在洗衣机的铭牌上可以找到。
- ✧ 生产商有在任何时候修改本手册中任何参数，而不提前通知的权力。本手册所提及的数据参数和图示仅做参考。请注意，本手册只能提供一般的信息，因为本手册不可能非常完整的包含机器一切的信息。

Preface

- ✧ When replacing dryer spare parts, original or identical parts must be used. After maintenance or replacing parts, please tighten all parts as they were originally on the dryer, and store this manual in a safe place for future reference.
- ✧ When contacting the dealer or manufacturer, please provide the exact type, model, and serial number of the dryer. The type, model, and serial number of the dryer can be found on the nameplate.
- ✧ The manufacturer reserves the right to modify any parameters in this manual at any time without prior notice. The data and illustrations mentioned in this manual are for reference only. Please note that this manual can only provide general information, as it is not possible for this manual to include all details about the machine.

本手册适用于一下型号

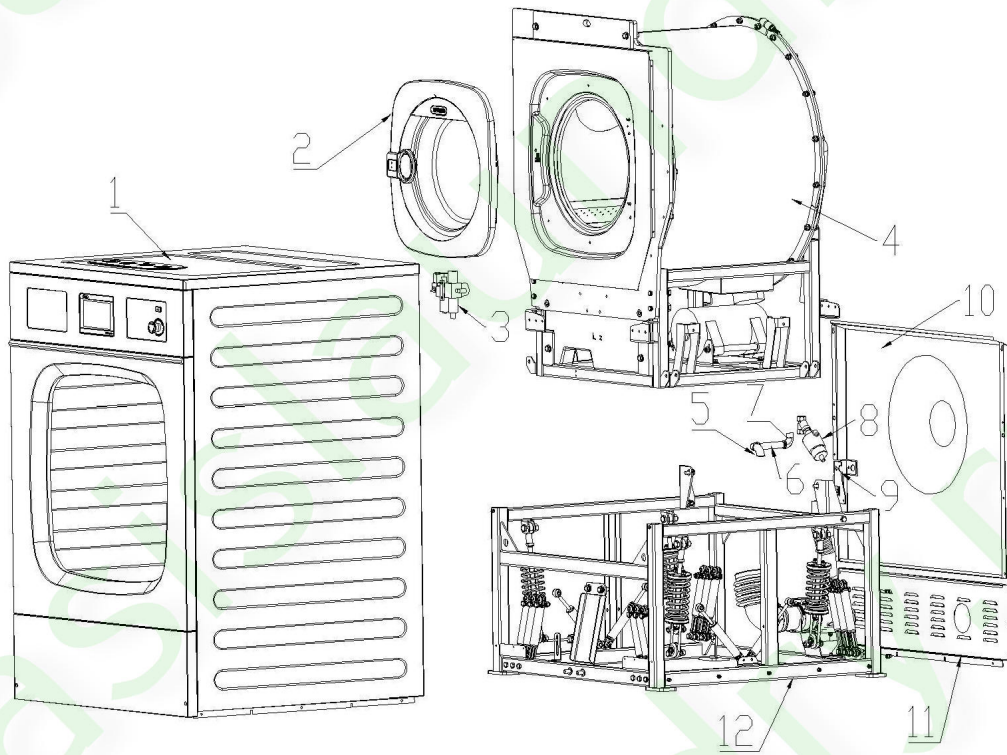
This manual for following models

SXTP250F

目录 Index

整机装配/Overall Assembly	3
箱体装配/Cabinet Assembly	5
控制面板装配/Controller Assembly	8
装载门组件/Loading Door Assembly	9
皂剂盒组件/Soapbox Assembly	11
电器箱/Electric Box	12
外筒及传动装配/Out Tub and Drive Assembly	13
内筒装配/Bracket Assembly	16
轴承座装配/Bearing House Assembly	17
外筒前大板装配/Tub front big plate	19
电机装配/Motor Assembly	20
门锁装配/Door Lock Assembly	21
底座装配/Base Assembly	23
弹簧装配/Spring Assembly	24
水管/Water pipe	25
蒸汽管路/Steam pipe	27
零件订购/Ordering Parts	28
声明/Statement	28

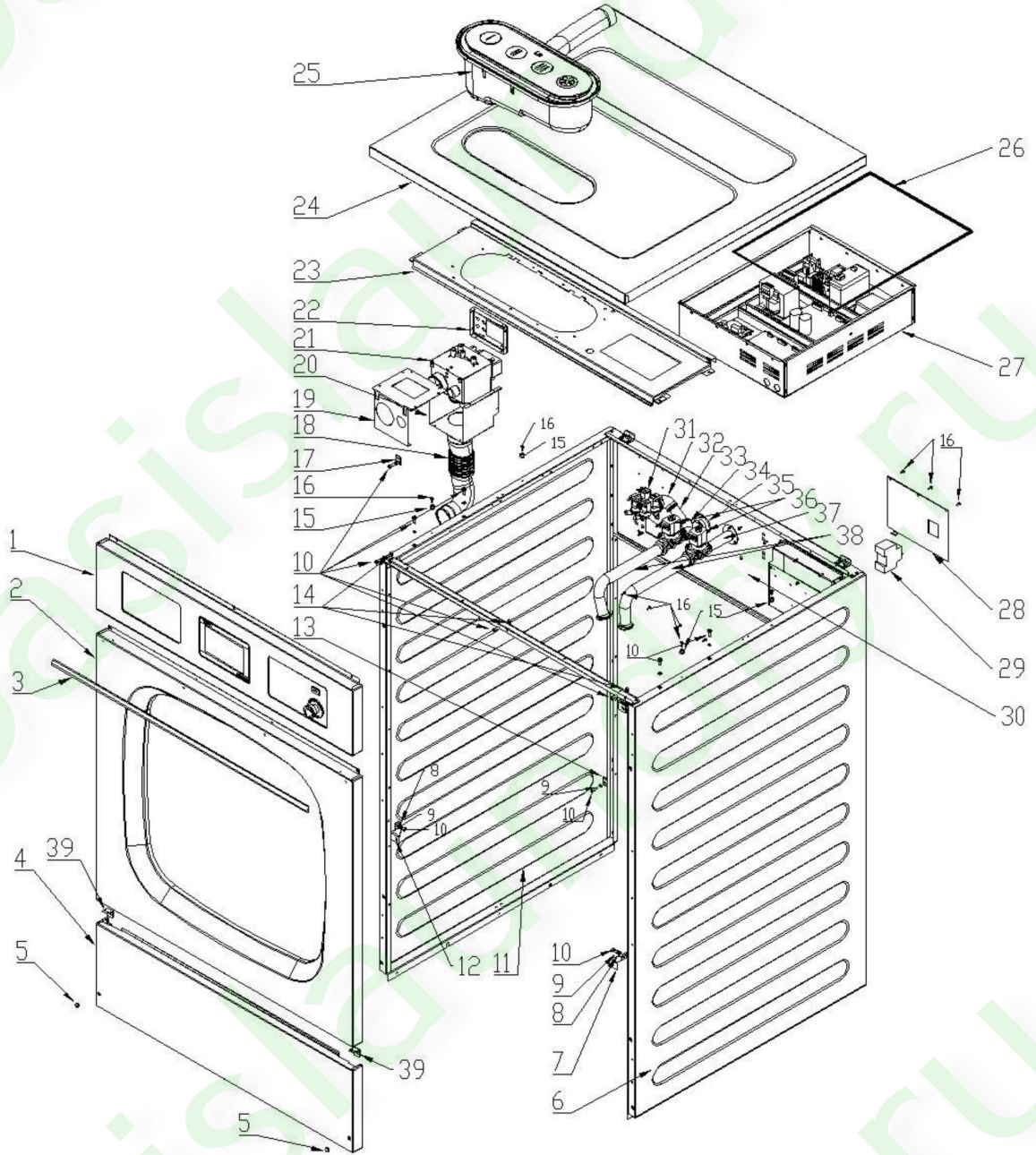
整机装配/Overall Assembly



序号 NO	零件编码 Part No	Part Name
1		Cabinet assembly
2		Loading door assembly
3	GZ0003	Compress air filter
4		Out tub assembly
5	GWG0044	Elbo
6	GWG0076	Screw couple
7	GWG0062	Eblo

8	GQ0007	Steam valve
9	SX25C013	Steam valve support
10	SX25F0001	Back panel
11	SX25F0002	Back lower panel
12		Base assembly

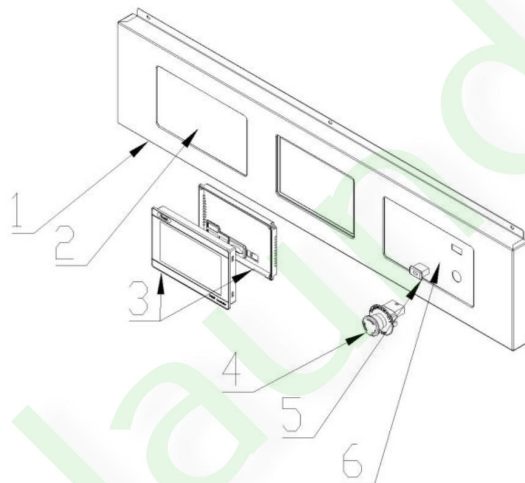
箱体装配/Cabinet assembly



序号 No.	零件编码 Part No	Part Name
1		Control assembly
2	SX25B038	Front panel
3	ZS0473	Decoration bar (optional)
4	SX25F0003	Front lower panel
5	TD0224	Plastic bolt cover
6	SX25F0004	Right panel
7	SX25C24	Panel fixer
8	BL0046	washer
9	BL0312	Washer
10	BL0030	Bolt
11	SX235F0005	Left panel
12	SX25C23	Panel fixer
13	SX25C25	Side panel fixer
14	BL0325	Nut
15	S15100	Top pane fixer
16	BL0560	Bolt
17	SX25F0006	Front panel fixer
18	YXJ0263	External soap water pipe
19	SX150039	External soap box C
20	SX150041	External soap box A
21		External soap box cover
22	SX150040	External soap box B
23	SX25C18	Internal soap box support
24	SX25F0007	Top panel
25		Internal soap box assembly
26	L0360	Rubber seal

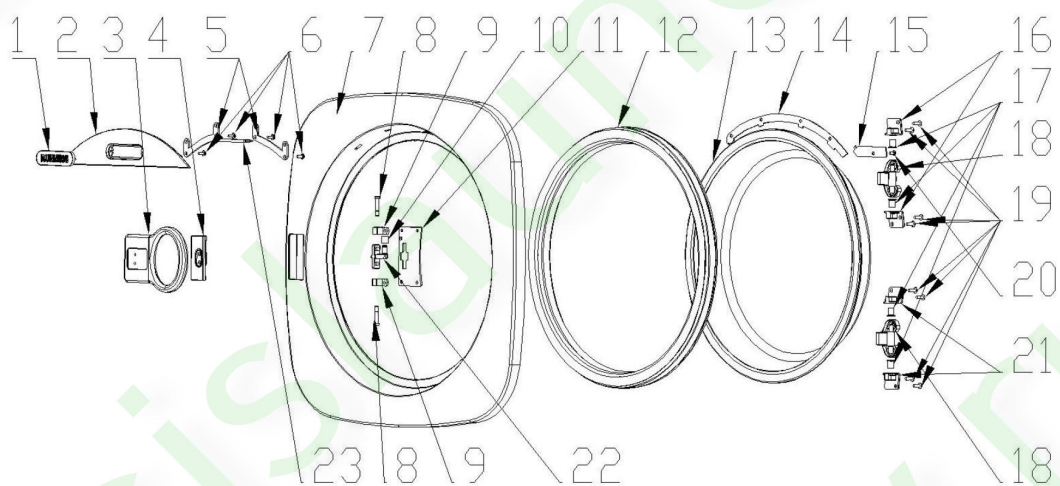
27		Electric box assembly
28	SX25C30	Electric box cover
29	TD909	Breaker
30	SX25F0008	Back upper panel
31	WF0029	Electronic soap valve
32	GWG0047	Elbo
33	DXG009	Screw couple
34	GWG0045	T connector
35	S150013	Valve fixer
36	GQ0030	Electronic water valve
37	SX25C008	Water valve fixer
38	SXJ0040	Air release pipe
39	SX10F0002	Front panel fixer

控制面板装配/Controller Assembly



序号 No.	零件编码 Part No	Part Name
1	SX25F0009	Control panel
2	M0126	Decal
3	YDN0077	7" control screen
4	TD0092	Emergency stop
5	TD503	USB extend
6	M0126	Decal

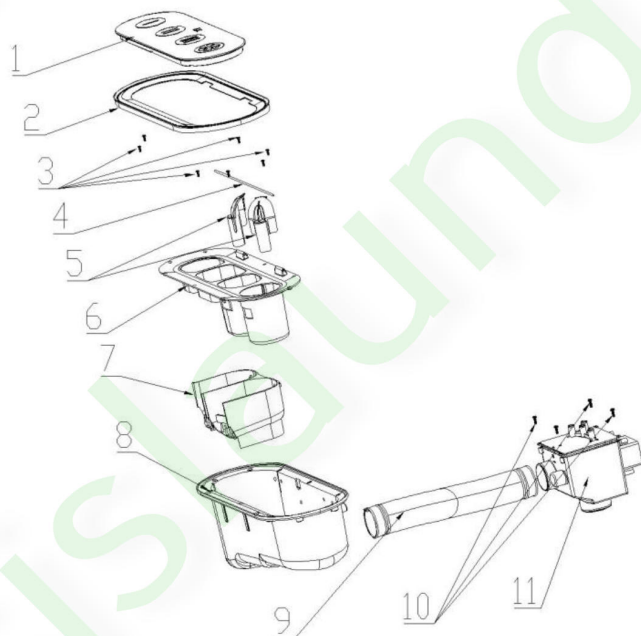
装载门组件/Loading Door Assembly



序号 No	零件编码 Part No.	Part Name
1	S0089	Brand logo
2	ZS0201	Logo plate
3	ZLMY0084	Door handle
4	S150037	Handle support
5	SX30G0041	Logo plate fixer
6	BL0394	Bold
7	ZLMY0082	Door frame

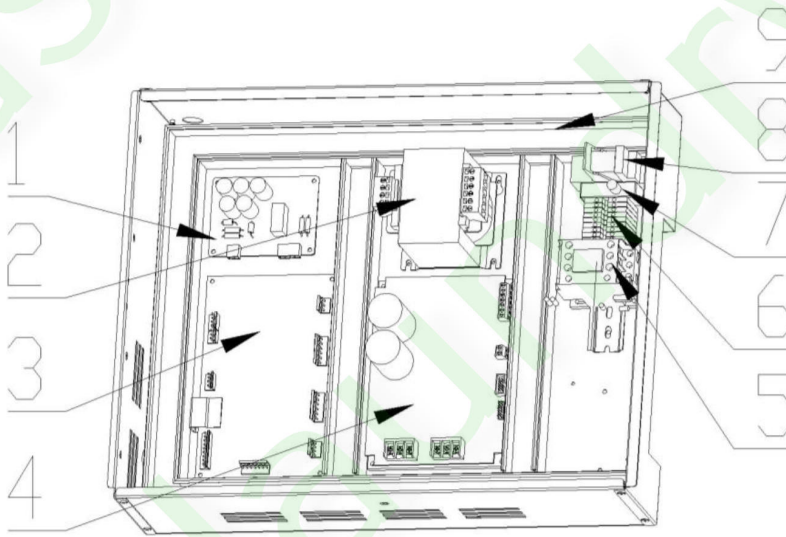
8	S150040	Door pin
9	S150038	Door pin support
10	S150041	Door lock piece
11	SX30G0043	Door hook press
12	YXJ0332	Door seal
13	TW0881	Door galss
14	SX30G0042	Logo plate press
15	SX30G0044	Light wire cover
16	S150065	Hinge up cover
17	L1083	Self-lubricated piece
18	ZS0234	Door hinge
19	BL0030	Bolt
20	BL0447	Bolt
21	S150066	Door hinge lower cover
22	S150039	Lock hook
23	TD0274	Led light

皂剂盒组件/Soapbox Assembly



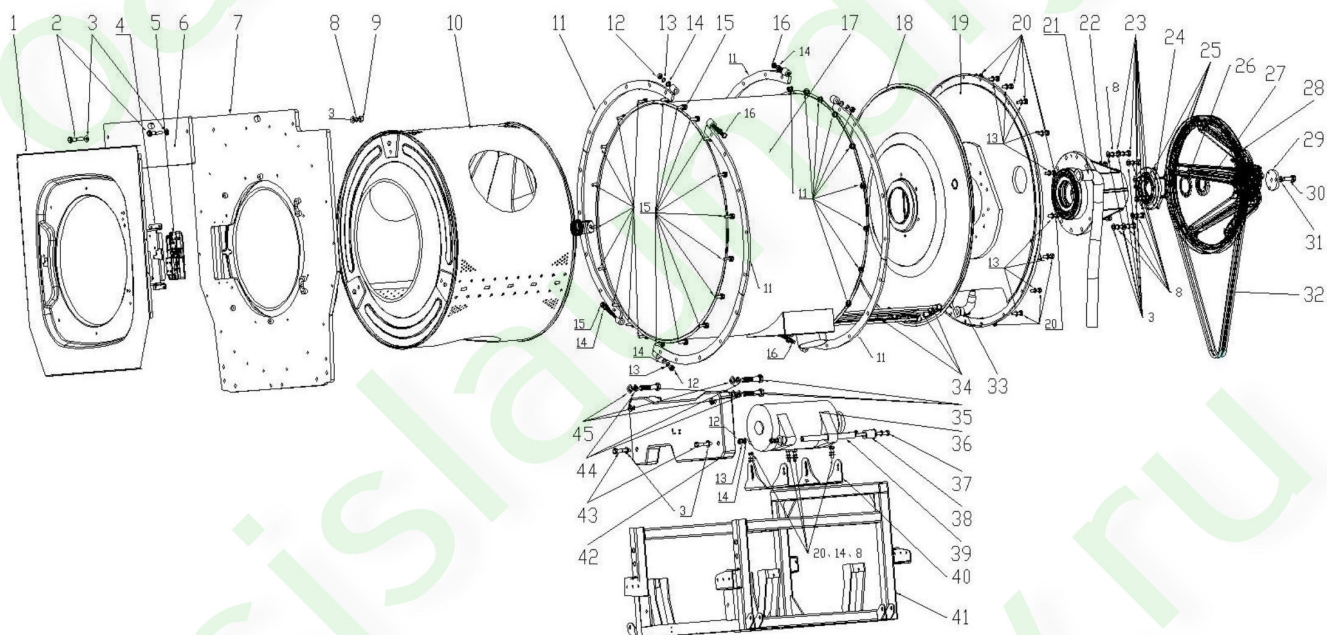
序号 No	零件编码 Part No.	Part Name
1	S0013	Soap box cover
2	SXJ0076	Soap box seal
3	BL0302	screw
4	S150029	Rotate shaft
5	S0117	Siphon tube
6	S0084	Soap compartment
7	S0083	Divider
8	S0033	Outer case
9	SXJ0027	Water outlet
10	BL0301	Screw
11	S0023	Back soap box

电器箱/Electric Box



序号 No	零件编码 Part No.	Part Name
1	YDN0028	Door lock board
2	TD0271	Voltage convertor
3	YDN0077	7" control screen
4	SDB0002	Inverter
5	TD0008	AC contactor
6	TD979	Connector
7	TD0006	Fue
8	TD0004	Relat
9	TD508	Wire case

外筒及传动装配/Out Tub and Drive Assembly

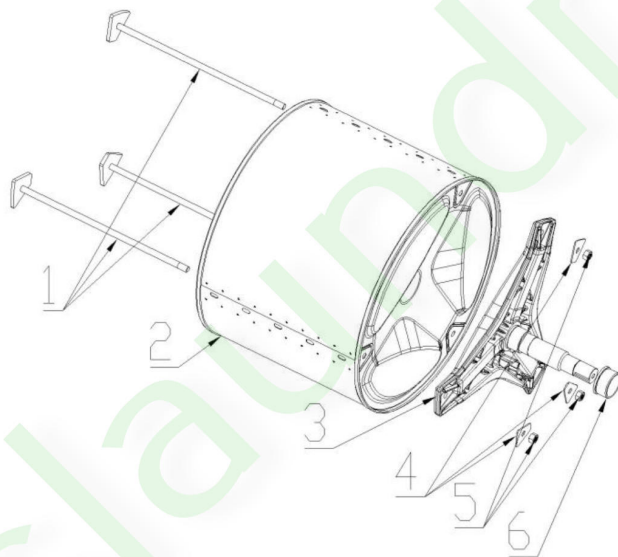


序号 No	零件编码 Part No.	Part Name
1	HJCX00102	Front plate
2	BL0069	Bolt
3	BL0051	Washer
4	ZS0362	Door lock holder
5		Magnetic
6	SX25F001	Front counterweight
7		Front big plate
8	BL0313	Washer
9	BL0319	Nut
10		Basket

11	HJCX00169	Out tub flange
12	BL0324	Nut
13	BL0403	Washer
14	BL0348	Washer
15	BL0113	Bolt
16	BL0515	Bolt
17	HJCX00016	Out tub
18	SX25C007	Tub back plate
19	HJCX00289	Tube back big plate
20	BL0103	Bolt
21	SXJ0167	Over flow pipe
22		Bearing house assemble
23	BL0080	Bolt
24	SX25C002	Beating house cover
25	BL0019	Bolt
26	TW0750	Washer
27	TW0060	But
28	SX25C004	Big pully
29	SX25C010	Pully press
30	BL0311	Washer
31	BL0519	Bolt
32	HXP0020	Belt
33	SXJ0168	Water level tube
34	A0008	Electric heating element
35	BL0073	bolt
36		Motor assembly
37	S150048	bolt
38	SXJ0067	Motor support
39	S250056	Motor support
40	SX25C015	Motor support

41	HJCX00203	Upper frame
42	ZS0183	Front lower counterweight
43	BL0370	Bolt
44	BL0309	Washer
45	BL0048	Washer

内筒装配/Bracket Assembly



序号 No	零件编码 Part No.	Part Name
1	SX25B007	Basket bar
2	HJXC00384	Basket
3	SX25C001	Cross piece
4	SX25C03	Bar back piece
5	BL0005	Nut
6	SX25C0002	Seal sleeve

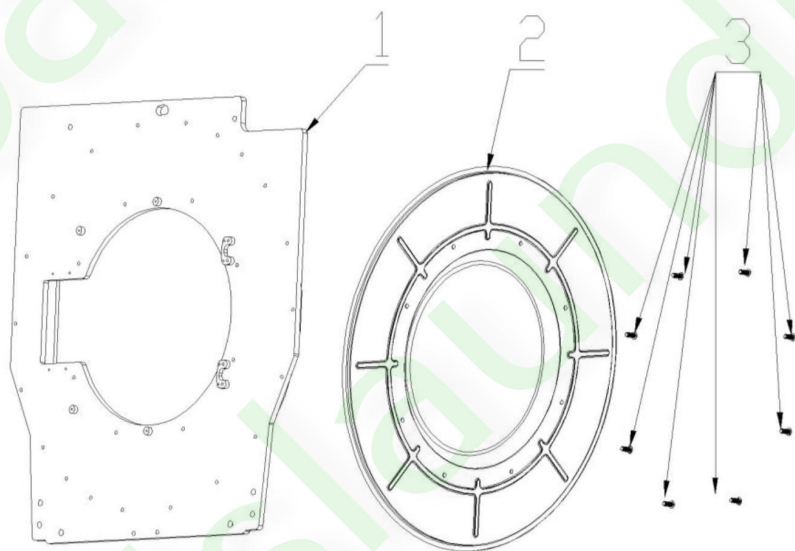
轴承座装配/Bearing House Assembly



序号 No	零件编码 Part No.	Part Name
1	YXJ0381	Bearing seal cover
2	BL0447	Bolt
3	SX25C36	Bearing house cover plate
4	XY0044	Oil seal
5	TW0004	Bearing stop
6	WC0072	Bearing
7	SX25C011	Bearing oil cover ring
8	SX25C04	Bearing oil cover
9	SX25C005	Bearing house sleeve
10	SX25C003	Bearing house

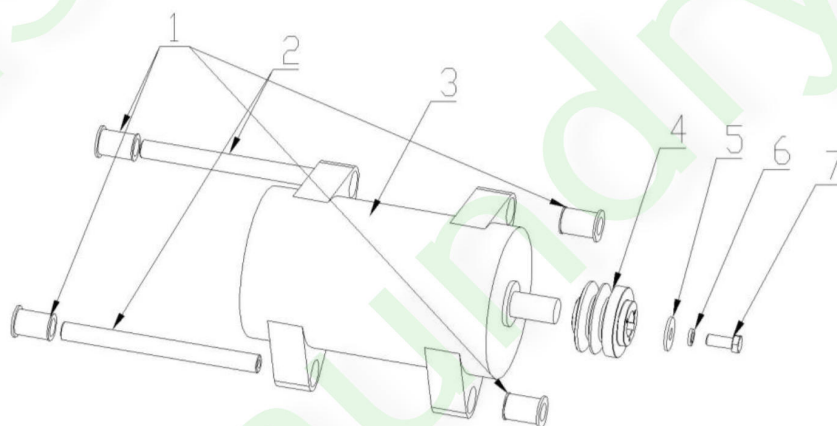
11	TW0058	Bearing stop
12	SX25C05	Back bearing oil cover
13	SX25C012	Back bearing oil cover ring
14	WC0021	Back bearing
15	TW0059	Release sleeve
16	XY0043	Nitrile seal
17	SX25C001	Seal ring
18	GX00001	O ring
19	SX25C002	Bearing house cover
20	BL0019	bolt
21	SX25C35	V shape plate
22	XY0030	Viton seal

外筒前大板装配/Tub front big plate



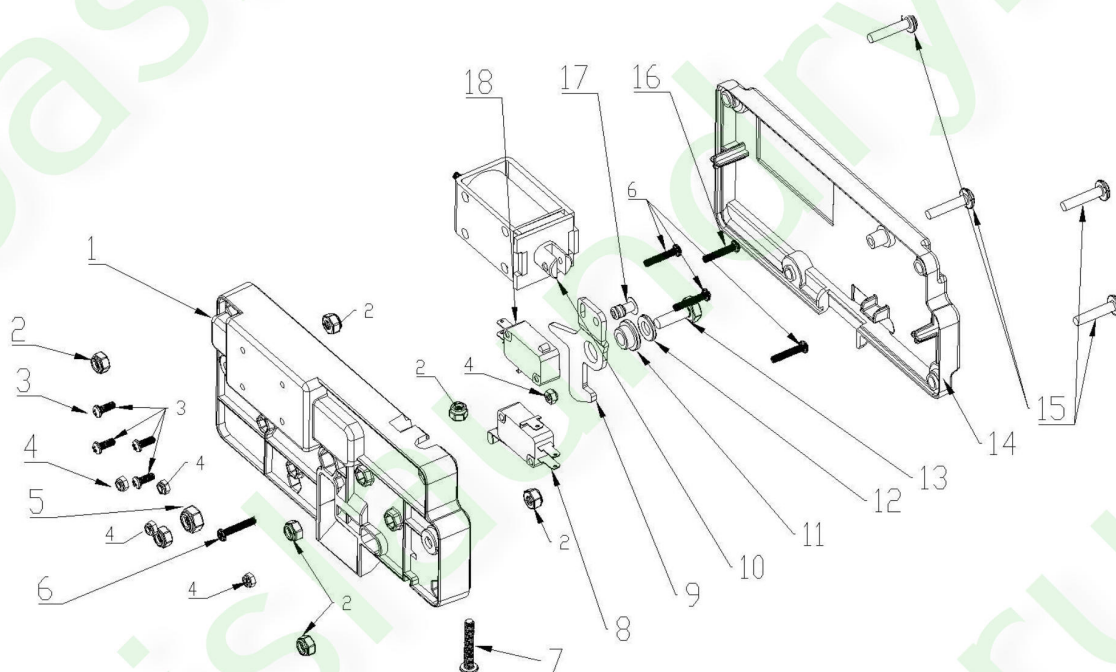
序号 No	零件编码 Part No.	Part Name
1	HJXC00466	Tub front big plate
2	SX25F0010	Tub front cover
3	BL0037	Bolt

电机装配/Motor Assembly



序号 No	零件编码 Part No.	Part Name
1	SXJ0067	Motor support
2	S250056	Motor support
3	YDJ0143	Motor
4	ZS0415	Small pulley
5	BL0140	Washer
6	BL0313	Washer
7	BL0111	Bolt

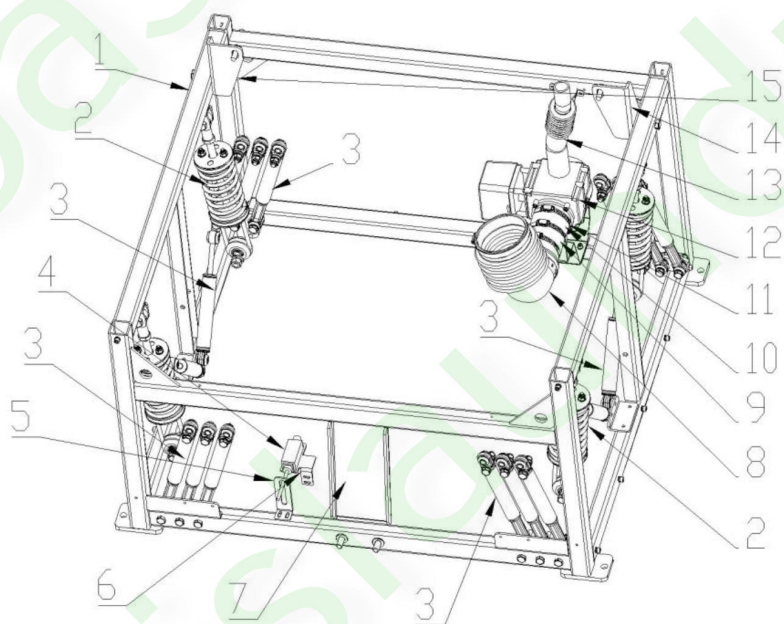
门锁装配/Door lock



序号 No	零件编码 Part No.	Part Name
1	S0135	Lock lower case
2	BL0152	Nut
3	BL0559	Bolt
4	BL0145	Nut
5	BL0151	nut
6	BL0652	Bolt
7	BL0307	Screw
8	TD663	Micro switch
9	SX30G0024	Lock hook
10	TW0705	Megnatic
11	ZS0353	Door lock washer
12	BL0046	Flat washer
13	BL0104	Blot
14	S0136	Lock upper cover

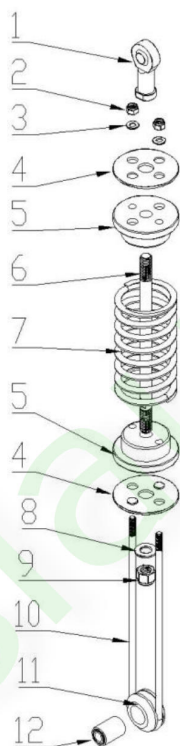
15	BL0613	Bolt
16	BL0747	Bolt
17	L0237	Rivet
18	TD662	Micro switch

底座装配/Base Assembly



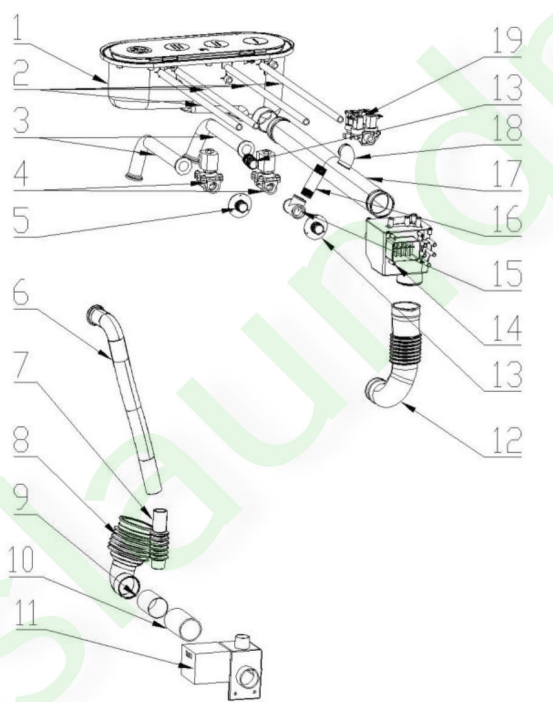
序号 No	零件编码 Part No.	Part Name
1	HJCX00427	Base frame
2		Bearing
3	TW0883	Shock absorber
4	TD0103	Balance switch
5	SX25C33	Balance potion kit
6	SX25C32	Switch holder
7	ZS0352	Front shipping kits
8	YXJ0174	Drain pipe
9	YXJ0268	Drain pipe
10	TW0097	SS cuff
11	SXJ0050	Drain valve connection
12	GQ0032	Electronic drain valve
13	GXJ0095	Rubher pipe
14	SX25C40	Back shipping kits R
15	SX25C41	Back shipping kits L

弹簧装配/Spring Assembly



序号 No	零件编码 Part No.	Part Name
1	WC0019	Bearing
2	BL0391	Nut
3	BL0052	Plate
4	S250059	Plate
5	S250043	Spring holder
6	S250042	Adjustment bar
7	TW1033	Spring
8	BL0050	Washer
9	BL0364	Nut
10	SX25C0001	U shape pulling bar
11	S250026	Roller
12	TW0062	Sleeve

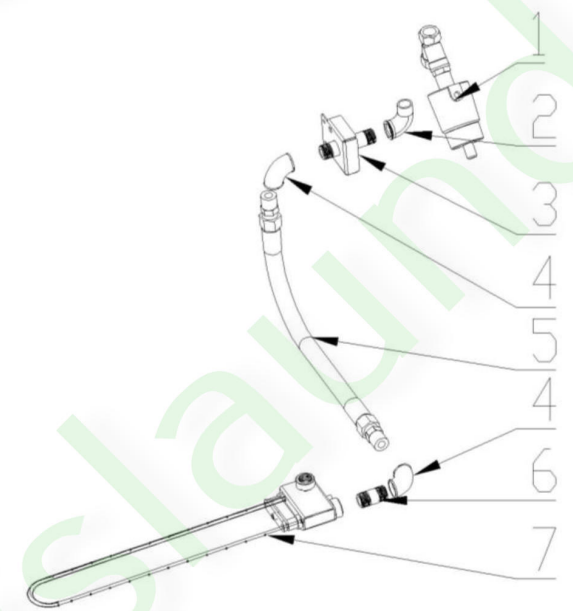
水管/Water pipe



序号 No	零件编码 Part No.	Part Name
1	S0033	Internal soap box
2	WF0029	Electronic soap Valve
3	SXJ0040	Air release pipe
4	GQ0030	Electronic water valve
5	DXG003	Screw couple
6	SXJ0167	Overflow pipe
7	YXJ0368	Rubber pipe
8	YXJ0268	Tub flexible water pipe
9	SX20F0027	Drain valve support
10	SXJ0050	Drain pipe
11	GQ0060	Electronic drain valve
12	YXJ0263	External soap water pipe

13	DXG001	Screw couple
14	S0023	External soap box cover
15	GWG0045	T connector
16	DXG009	Screw couple
17	SXJ0027	Internal soap water pipe
18	GWG0047	Elbo
19	WF0029	Electronic soap valve

蒸汽管/Steam Pipe



序号 No	零件编码 Part No.	Part Name
1	GQ0007	Pneumatic steam valve
2	GWG0062	Elbo
3	S100024	Steam valve support
4	GWG0044	Elbo
5	TW0065	Steam pipe and connection
6	BXG012	Connector
7	S150050	Steam Injector